

PLEASE KEEP ME WITH YOUR PROOF OF PURCHASE FOR FUTURE REFERENCE



ASSEMBLY INSTRUCTIONS

SOMERTON 115CM SQUARE CERAMIC GAS FIRE PIT TABLE

(69713129)

ATTENTION:

1. Please read these instructions carefully before assembly
2. Aluminium is a soft metal and over tightening may strip the thread or break the part
3. **DO NOT** use power tools
4. Please allow 30 minutes for assembly
5. Although assembly only requires 1 person it is advised that a second person be present to help turn the table over and into position when fully assembled

ASSEMBLY STEPS:

1. Turn table top (A) over and put onto a soft clean surface, **be careful of the fixed glass table top, no need to take out of the glass**
2. **LOOSELY** attach Side panel 1 (B) and Side panel 2 (C) to table top (A) with bolts (K) and flat washers (M) using Spanner (N) **DO NOT TIGHTEN THE BOLTS AT THIS STAGE**
3. **LOOSELY** attach rear panel (D) **to assembled Side panels** 1 & 2 with bolts (K) and flat washers (M) using Spanner (N)
4. **LOOSELY** attach bottom frame (E) to connecting bar (F) with bolts (K) and flat washers (M) using Spanner (N)
5. **LOOSELY** attached assembled bottom frame to Side panel with bolts (L) and flat washers (M) using Spanner (N)
6. Tighten all bolts one by one using spanner, being careful not to over tighten any as this will cause the thread to become damaged
7. Turn table top over and place in desired position, be careful of the fixed glass on table top while turning over the table
8. Open the door, connect the gas pipe then put the gas tank on the fixed bottom frame and close the door
9. Pour the bag of glass beads (H) into fire pit
10. Put the centre glass (G) on top of the fire pit
11. Fire guard: fix 4pc glass (I) onto the glass clips (J). Note: When installing the glass clips, the direction of the clip on the same piece of glass must be in reverse.
12. Put the assembled fire guard on the correct position on table top, the table is assembled completely.

For more information regarding maintenance of your furniture please visit

<https://www.hartmanuk.com/home>

Component's					Fixings				
Parts List	Parts Picture	Description	Q'ty	Part no	Parts list	Parts Picture	Description	Q'ty	Part no.
A		Table Top with Glass	1	69713129A	H		Glass beads	1	69713129H
B		Side panel 1 with door	1	69713129B	I		Fire Guard Glass	4	69713129I
C		Side panel 2	1	69713129C	J		Glass clip	8	2100042
D		Rear panel	1	69713129D	K		M6*25mm bolts	12	1231162
E		Bottom frame	1	69713129E	L		M6*35mm bolts	4	2100040
F		Connecting bar	2	69713129F	M		Flat washers	16	1061162
G		Centre glass	1	69713129G	N		Spanner	1	2100041

For replacement or lost spare parts please go to <http://spares.hartmanuk.co.uk/purchase>

Should you have any queries about your furniture your first point of contact should be the retailer from whom you purchased your product

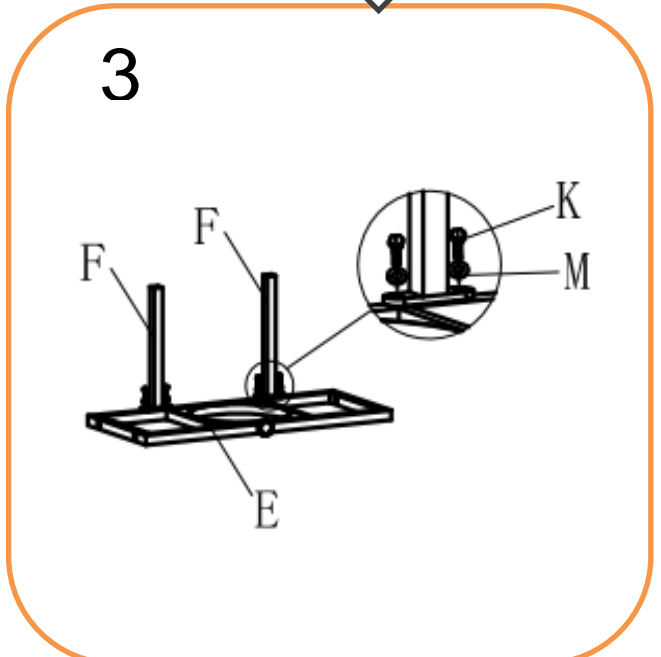
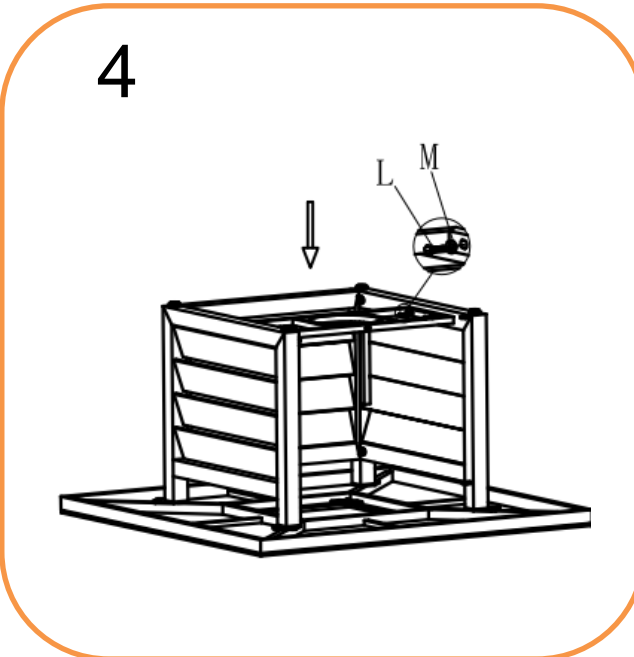
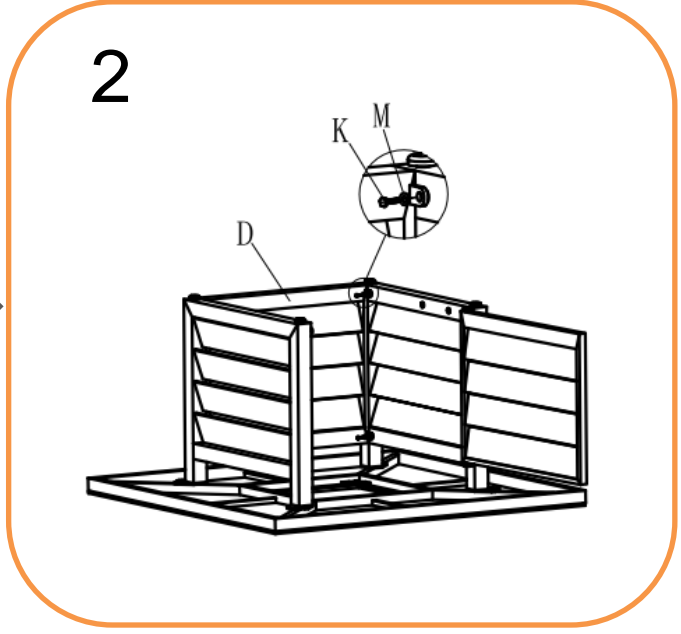
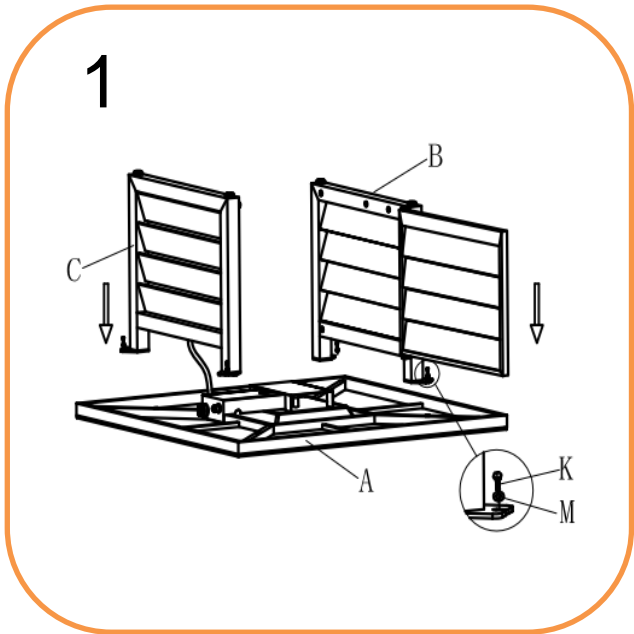
PLEASE KEEP ME WITH YOUR PROOF OF PURCHASE FOR FUTURE REFERENCE



ASSEMBLY INSTRUCTIONS

SOMERTON 115CM SQUARE CERAMIC GAS FIRE PIT TABLE

(69713129)

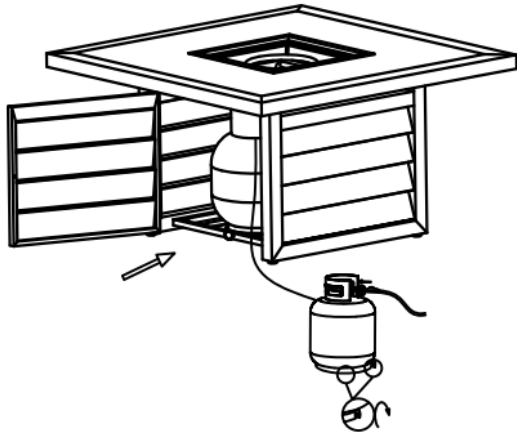


For replacement or lost spare parts please go to <http://spares.hartmanuk.co.uk/purchase>

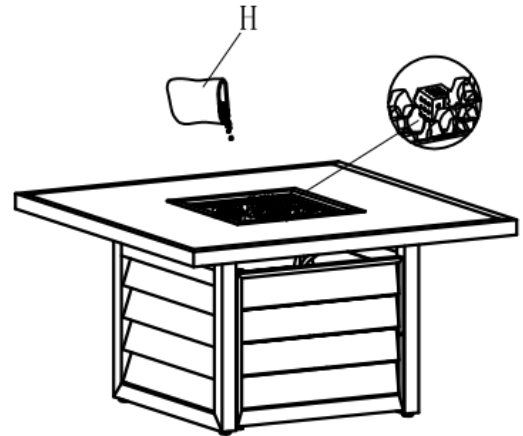
Should you have any queries about your furniture your first point of contact should be the retailer from whom you purchased your product

PLEASE KEEP ME WITH YOUR PROOF OF PURCHASE FOR FUTURE REFERENCE

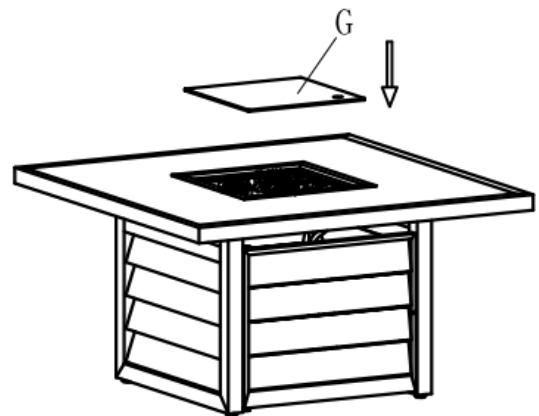
5



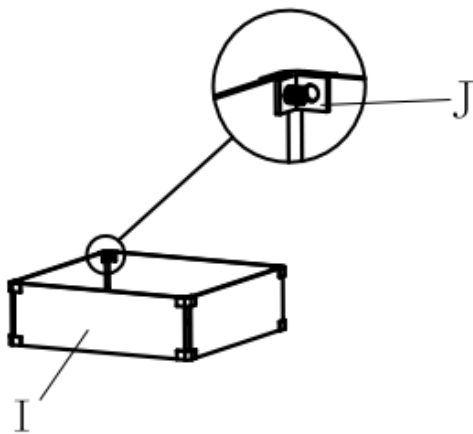
6



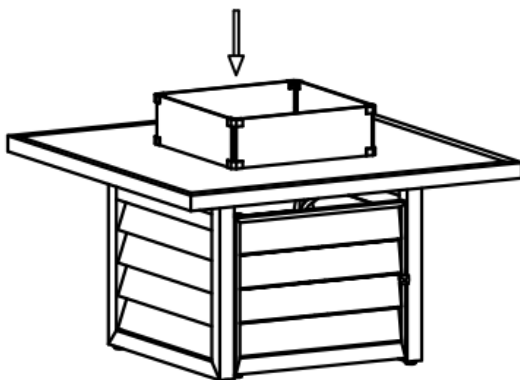
7



8



9



For replacement or lost spare parts please go to <http://spares.hartmanuk.co.uk/purchase>

Should you have any queries about your furniture your first point of contact should be the retailer from whom you purchased your product