



# Assembly Instructions

## Aspen Rectangular Coffee Table

(Product Codes: 60105049)





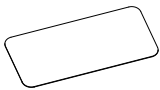

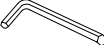


PLEASE RETAIN THIS DOCUMENT ALONG WITH YOUR  
PROOF OF PURCHASE FOR FUTURE

Congratulations on your recent purchase of your beautiful Hartman furniture. We hope it brings you bountiful special moments with friends and family for many years to come. Please follow these simple steps to build your furniture. We also have a very useful video available online to assist with the assembly, please visit [www.hartmanuk.com](http://www.hartmanuk.com)

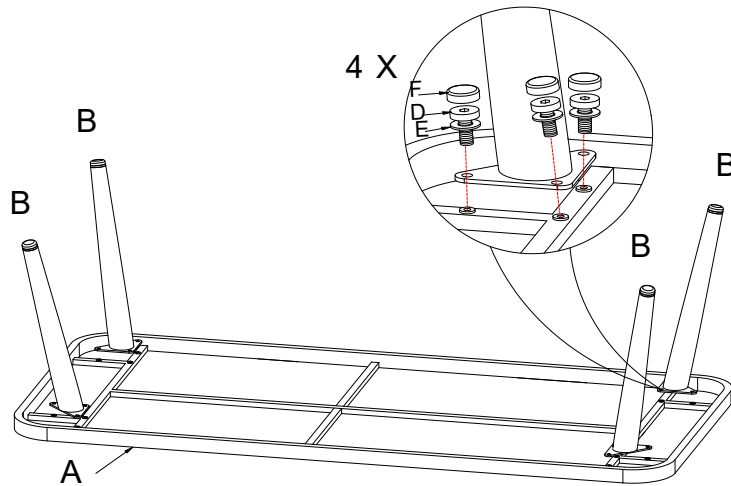
### TOP TIPS

- Please read these instructions carefully before assembly, for further assistance please view our assembly video online for an easy step by step demonstration
- Aluminum is a soft metal and over tightening may strip the thread or break the part, please loosely assembly your furniture before tightening to secure.
- Please **do not** use power tools, please use the allen key provided in the bolt pack
- Please allow 5 minutes for assembly
- This furniture can be assembled with **1** person; however, you may need someone to assist you when turning the furniture over into position.

# PARTS LIST

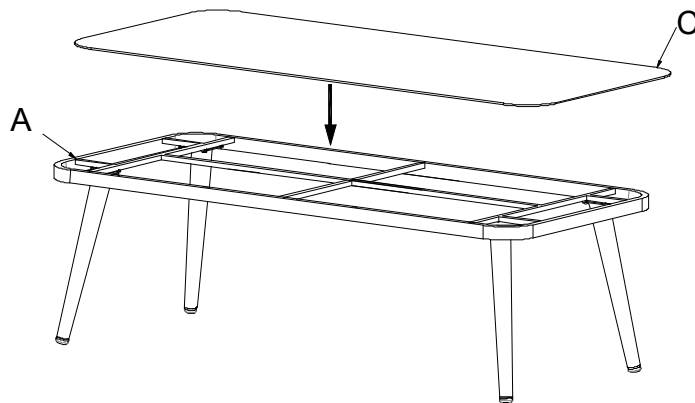
Component's					Fixings				
Parts List	Parts Picture	Description	Qty	Part no	Parts List	Parts Picture	Description	Qty	Part no
A		Table top	1	60105049A	D		Bolt (M6x15)	12	1091162
B		Table legs (55cm L)	4	60105049B	E		Washer (M6xø14)	12	1241163
C		Glass	1	60105049C	F		Plastic bolt cap (M6)	12	1061163
					G		Allen (M6)	1	101062
					H		Adjustable plastic footpad 35mm	4	2PNS005
					I		Glass buffer	7	1241164

## STEP1: LEG ASSEMBLY



**STEP1:** Attach Table leg (B) to the Table top (A) using M6x15 Bolt (D) and Washer (E). Tighten all the bolts and finish with the Plastic bolt cap (F)

## STEP2: COMPLETE



**STEP2:** Turn the table over and place the Glass(C) onto the Table top(A)