



Assembly Instructions

Aspen Rectangular Corner Seating Unit & 2 x Stools

(Product Codes: 60109049)







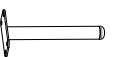
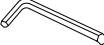



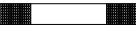

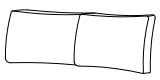
PLEASE RETAIN THIS DOCUMENT ALONG WITH YOUR
PROOF OF PURCHASE FOR FUTURE

Congratulations on your recent purchase of your beautiful Hartman furniture. We hope it brings you bountiful special moments with friends and family for many years to come. Please follow these simple steps to build your furniture. We also have a very useful video available online to assist with the assembly, please visit www.hartmanuk.com.

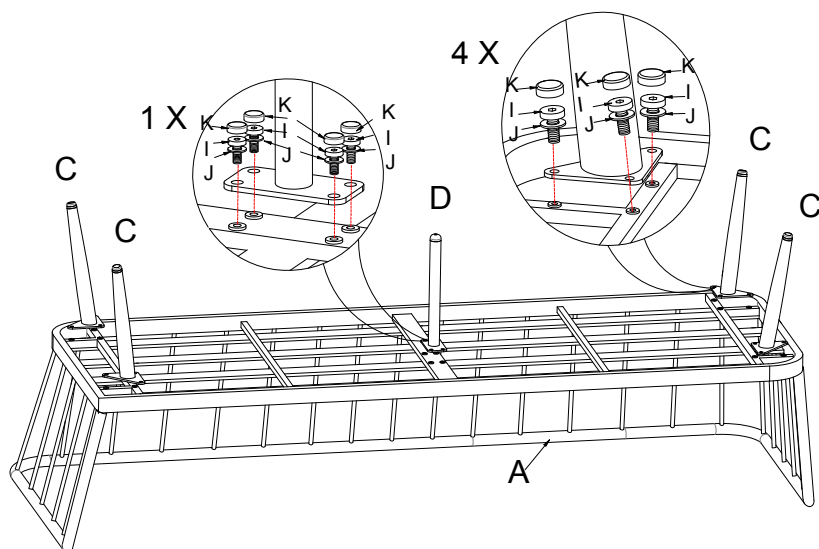
TOP TIPS

- Please read these instructions carefully before assembly, for further assistance please view our assembly video online for an easy step by step demonstration
- Aluminum is a soft metal and over tightening may strip the thread or break the part, please loosely assembly your furniture before tightening to secure.
- Please **do not** use power tools, please use the allen key provided in the bolt pack
- Please allow 5 minutes for assembly
- This furniture can be assembled with **2** person; however, you may need someone to assist you when turning the furniture over into position.

PARTS LIST---Rectangular Corner Seating Unit

Component's					Fixings				
Parts List	Parts Picture	Description	Qty	Part no	Parts List	Parts Picture	Description	Qty	Part no
A		RH 3 seat frame	1	60109049A	I		Bolt (M6x15)	32	1011162
B		LH 3 seat frame	1	60109049B	J		Washer (M6xØ14)	32	1241163
C		legs (32cm L)	8	60109049C	K		Plastic bolt cap (M6)	32	1061163
D		Center support leg (30cm L)	2	60109049D	L		Allen (M6)	1	1010162
E		RH 3 seat cushion	1	5APSC004MA	M		Adjustable plastic footpad 25mm	10	2PNS004
F		LH 3 seat cushion	1	5APSC006MA	N		Velcro	2	2200011
G		back cushion	5	5APBC001MA					
H		Corner back cushion	1	5APBC003MA					

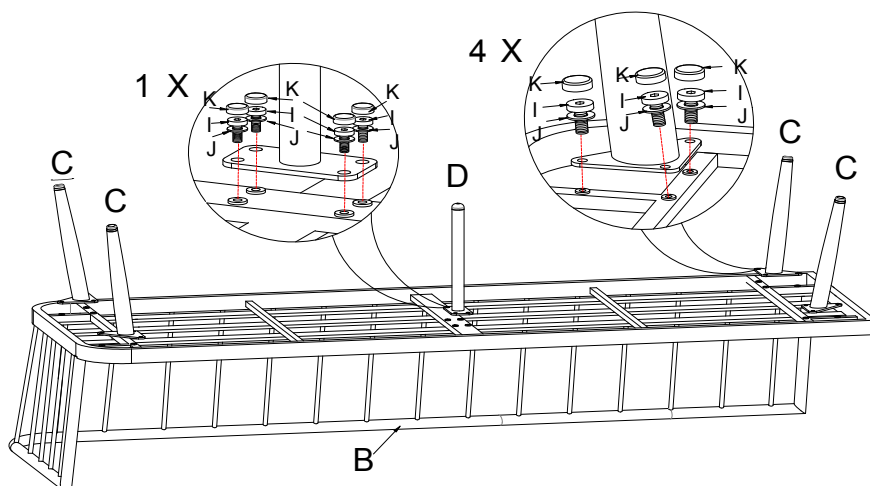
STEP1&2: LEG ASSEMBLE



STEP1: Attach Legs (C) to the Seat Frame (A) using M6x15 Bolt (I) and Washer (J). Tighten all the bolts and finish with the Plastic bolt cap (K)

STEP2: Attach Center support leg (D) to the Seat Frame (A) using M6x15 Bolt (I) and Washer(J). Tighten all the bolts and finish with the Plastic bolt cap (K)

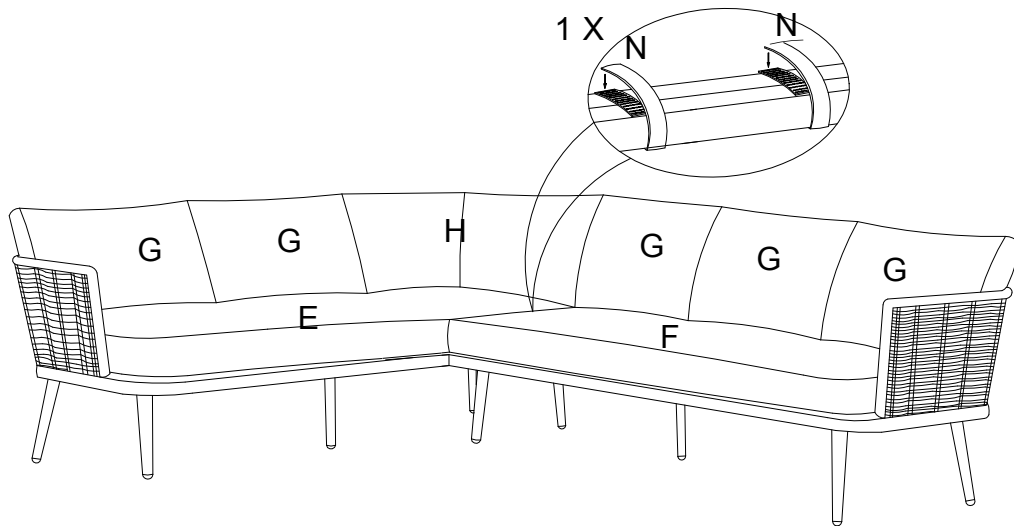
STEP3&4: LEG ASSEMBLE



STEP3: Attach Legs (C) to the Seat Frame (B) using M6x15 Bolt (I) and Washer (J). Tighten all the bolts and finish with the Plastic bolt cap (K)

STEP4: Attach Center support leg (D) to the Seat Frame (B) using M6x15 Bolt (I) and Washer (J). Tighten all the bolts and finish with the Plastic bolt cap (K)

STEP5: COMPLETE

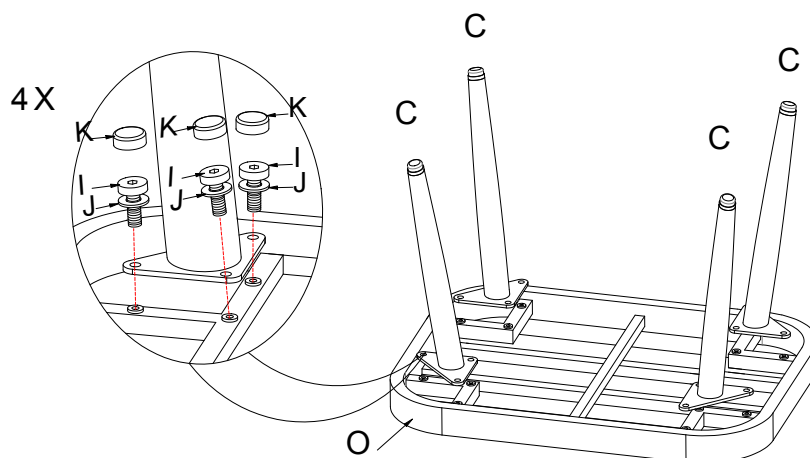


STEP3: Turn the sofa over and place the cushion (E) (F) (G) (H) onto the sofa

PARTS LIST---Stool

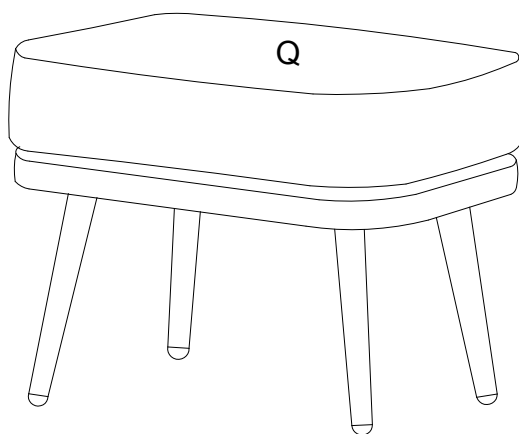
Component's					Fixings				
Parts List	Parts Picture	Description	Qty	Part no	Parts List	Parts Picture	Description	Qty	Part no
O		Stool Seat Frame	1	60109049O	I		Bolt (M6x15)	12	1011162
C		leg (32cm L)	4	60109049C	J		Washer (M6xø14)	12	1241163
Q		Stool seat cushion	1	5APST001MA	K		Plastic bolt cap (M6)	12	1061163
					L		Allen (M6)	1	1010162
					M		Adjustable plastic footpad 25mm	4	2PNS004

STEP1: LEG ASSEMBLY



STEP1: Attach Legs (C) to the Stools Seat Frame (O) using M6x15 Bolt(I) and Washer (J). Tighten all the bolts and finish with the Plastic bolt cap (K)

STEP2: COMPLETE



STEP2: Turn the Stools over and place the cushion (Q) onto the Stool

