

# ASSEMBLY INSTRUCTION

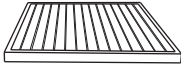
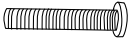


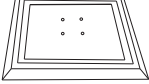



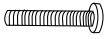

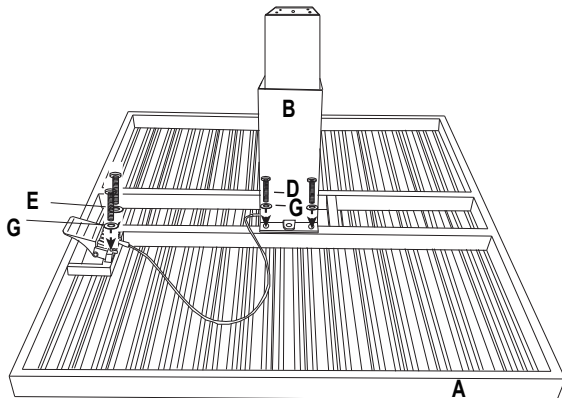
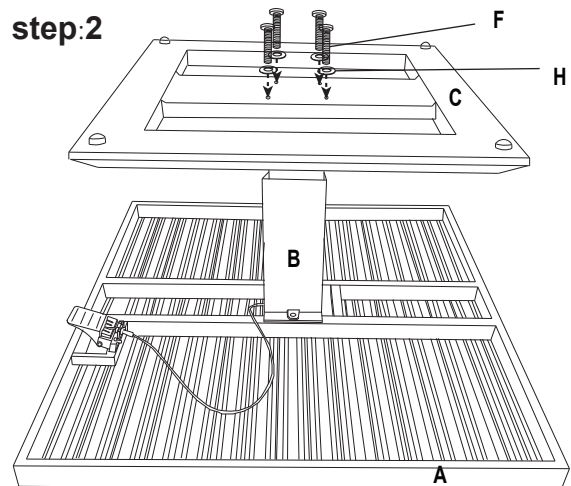
PARTS LIST							
A	TABLE RIM		1	F	BOLT(M8X50)		4
B	SUPPORTING TUBE		1	G	METAL WASHER(M6)		6
C	TABLE BASE		1	H	METAL WASHER(M8)		4
D	BOLT(M6X25)		4	I	ALLEN WRENCH(M6)		1
E	BOLT(M6X35)		2	J	ALLEN WRENCH(M8)		1

Diagram:

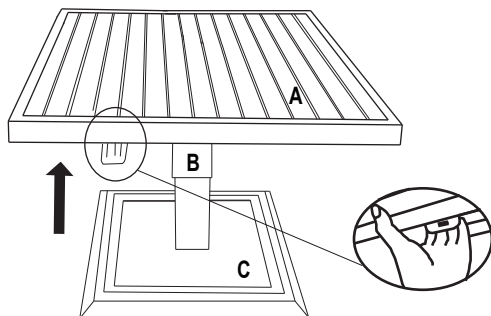
step:1



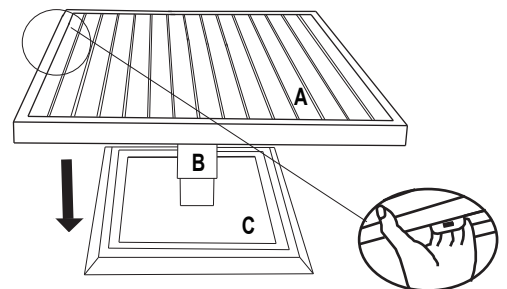
step:2



step:3



step:4



Press and hold the button as the table rises

Press the button as the table descends and press down with your hand on the center of the table as shown