

KETTLER

Panalsol Pagoda 2.9m x 2.9m

PNPA19021-0200



IMPORTANT

PLEASE KEEP THIS BOOKLET FOR FUTURE REFERENCE.
THIS IS IMPORTANT INFORMATION REGARDING THE USE AND
CARE OF YOUR PANASOL PAGODA.


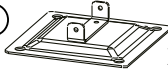








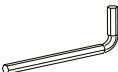

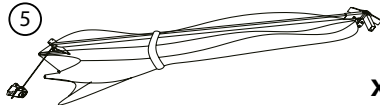
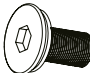






ASSEMBLY
TIME



PERSONS
REQUIRED

Parts List

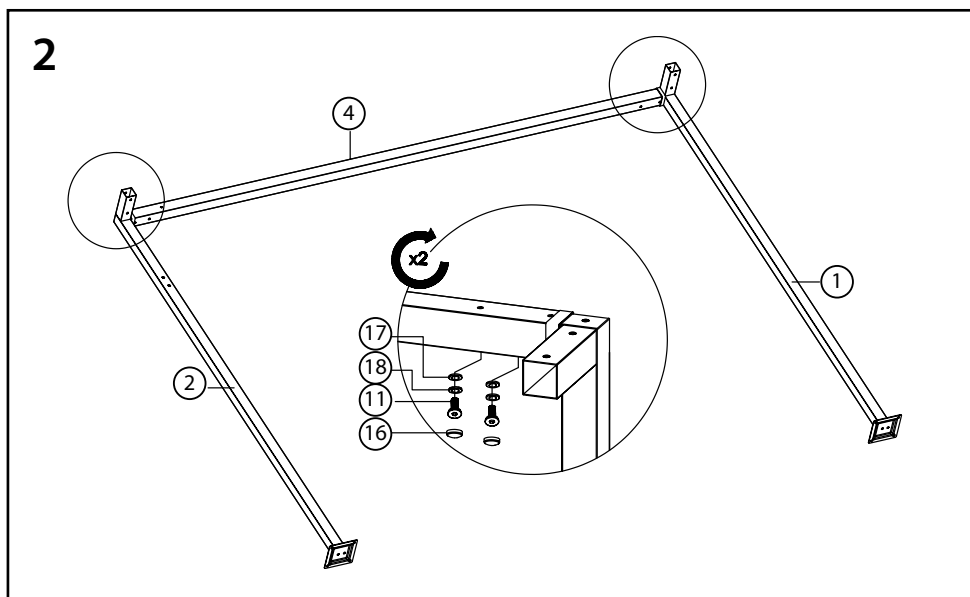
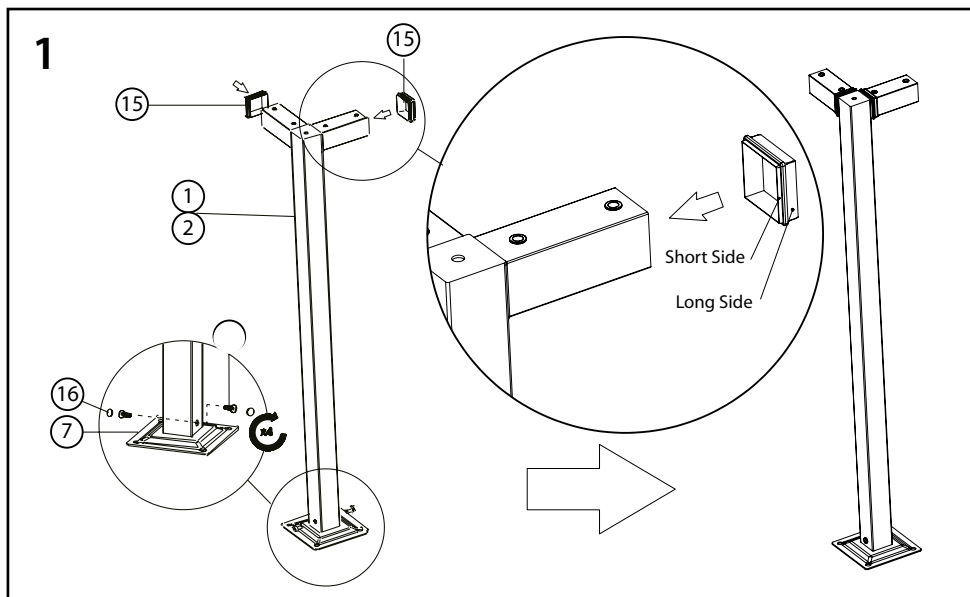
①  x3	⑦  x4	⑬  x1
②  x1	⑧  x1	⑭  x1
③  x2	⑨  x8	⑮  x8
④  x2	⑩  x1	⑯ Screw Cap Cover  x54
⑤  x1	⑪  6x15mm allen screw x50	⑰ Plastic Washer  x16
⑥  x3	⑫  x2	⑱ Metal Washer  x16

Do not discard any of the packaging until you have checked that you have all the parts and the pack of fixings.

Helpful advice before you begin:

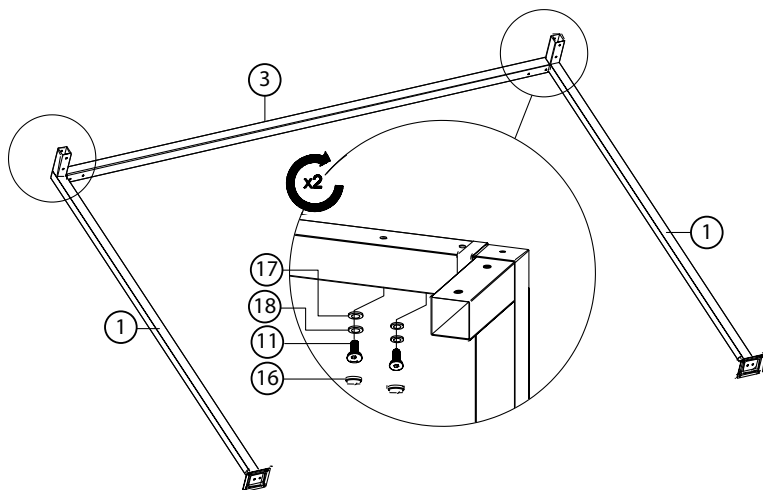
1. We suggest you spend a short time reading through this leaflet and then follow the simple step by step instructions.
2. Do not discard any of the packaging until you have checked that you have all the parts and the pack of fittings.
3. Assemble this product on a soft surface.
4. To ensure an easier assembly, we strongly advise that all fittings are only finger tightened during initial assembly. Only upon completion of the assembly should all fixing points be fully tightened.
5. Keep fittings out of children's reach.
6. Do not use any other tools other than those recommended to build this product.
7. Please do not use substitute parts. Use only additional or replacement parts supplied by Kettler.
8. In the unlikely event that this product has missing or damaged parts, please visit our website www.kettler.co.uk

Assembly

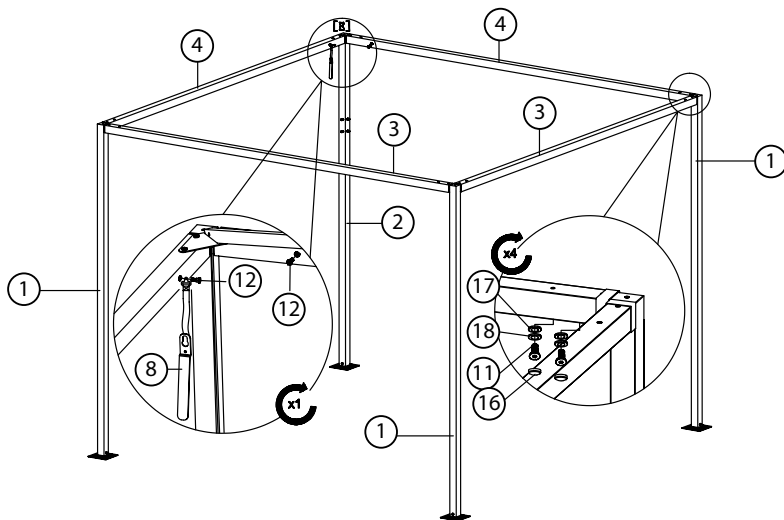


Assembly

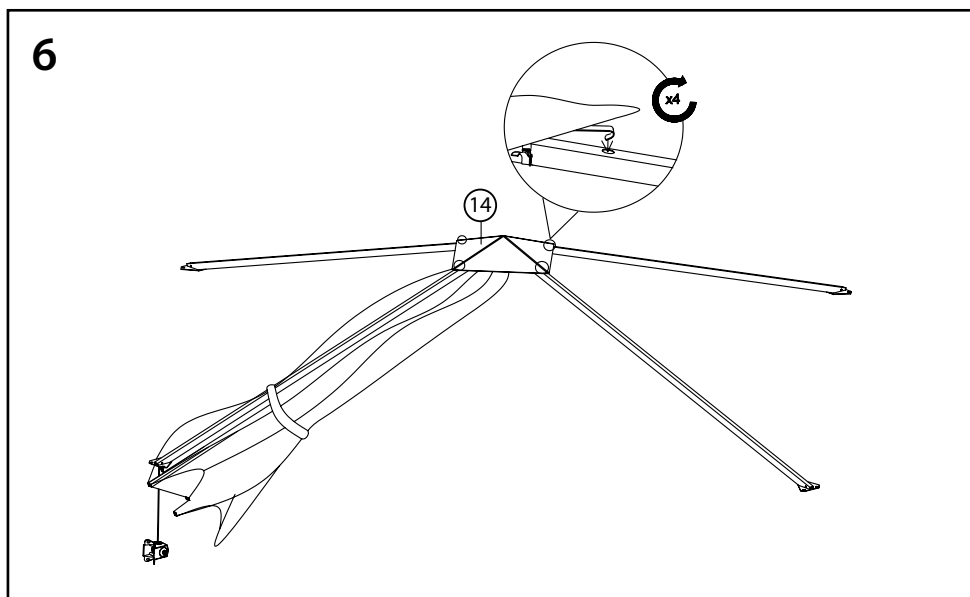
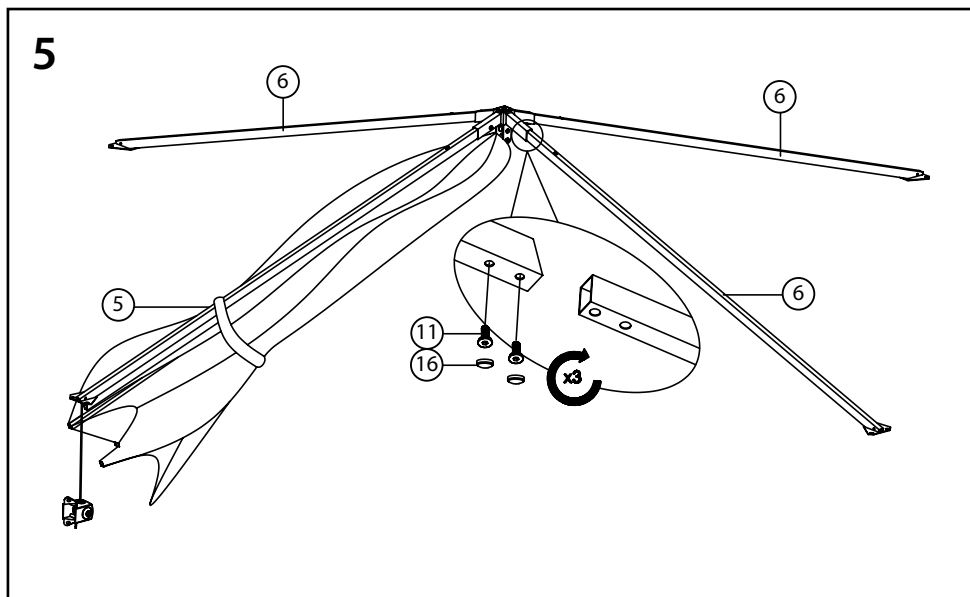
3



4

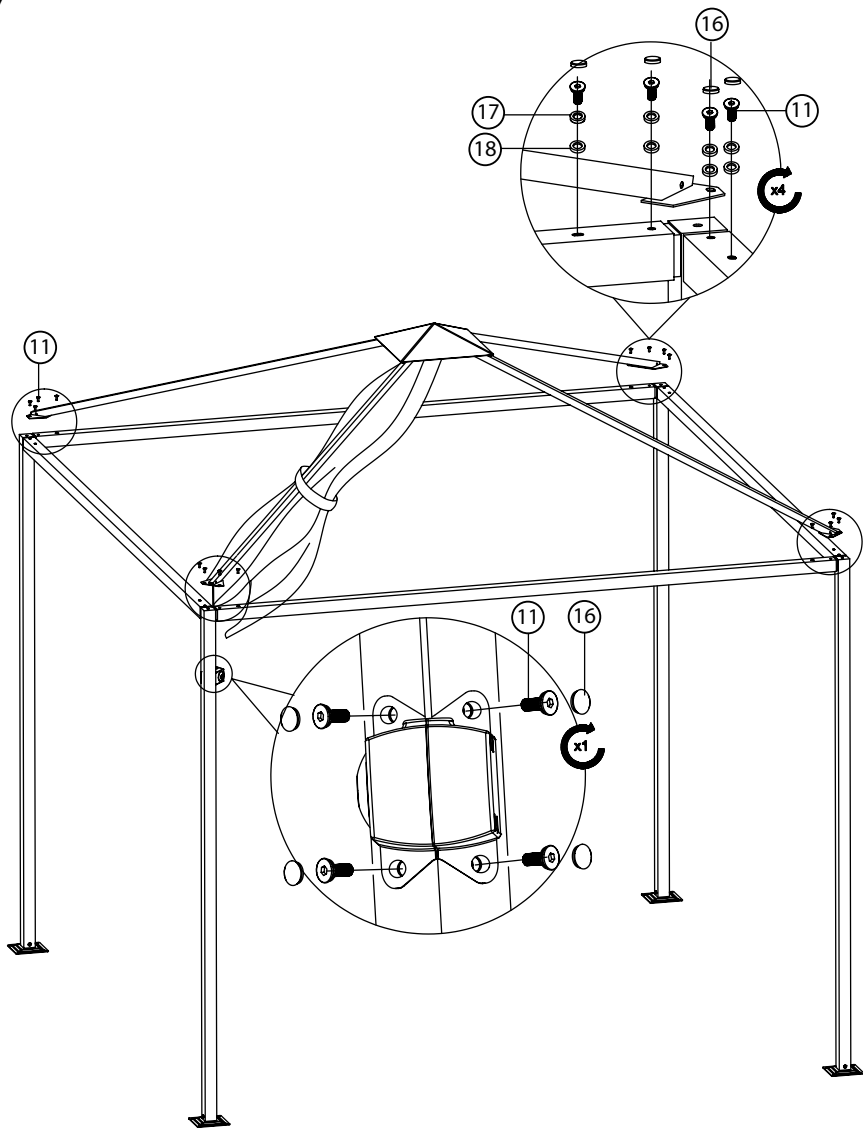


Assembly



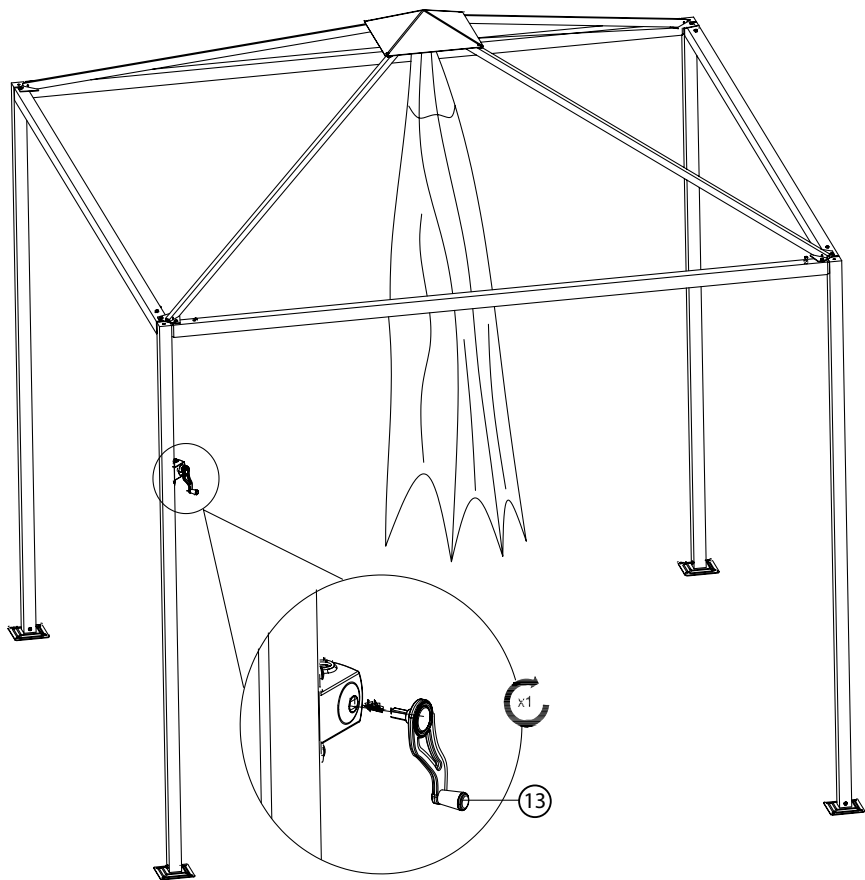
Assembly

7



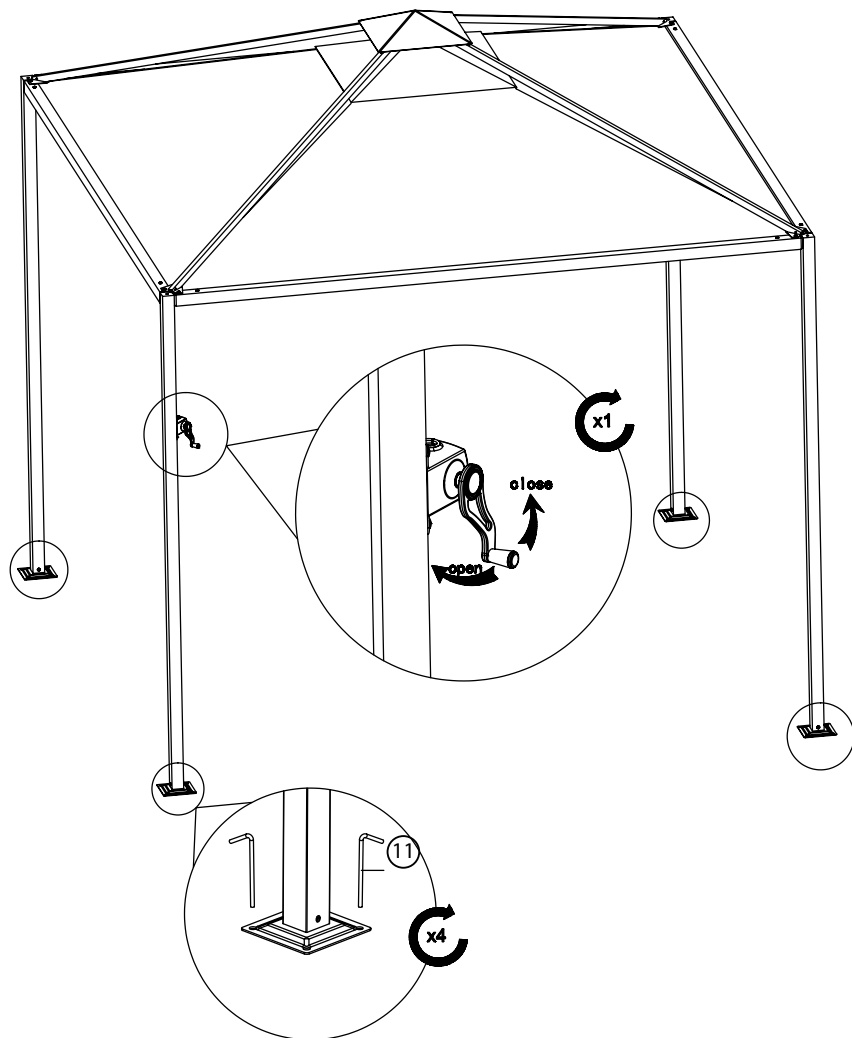
Assembly

8



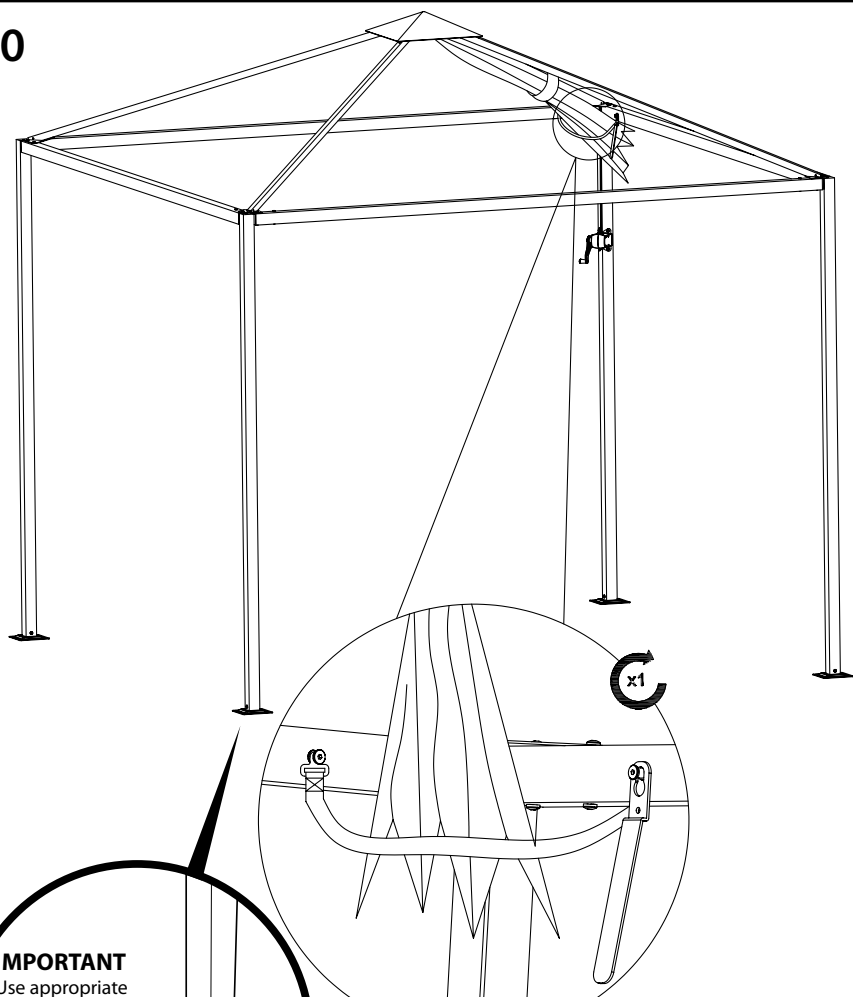
Assembly

9



Assembly

10



IMPORTANT

Use appropriate fixings for securing the Panalsol to the ground surface/floor.

NOTE

To remove the canopy from the frame, simply unvelcro at the top of the canopy and slide down. Reverse this process to put the canopy on. To watch the operation video visit here:

www.kettler.co.uk/panalsol-pagoda-3x3m



Maintenance and Care Instructions

- For domestic use only. Any other use may affect the warranty.
- Before assembling check whether all parts listed in the parts list have been delivered. Do not start assembling if parts are missing or damaged.
- Assemble the Panalsol under normal weather conditions only. A partly assembled Panalsol is not fully stable in heavy winds or rain.
- A failure to assemble this product correctly could cause damage or result in serious injury! Assemble on a flat surface. Before assembling make sure that you have enough space for the procedure.
- A distance of at least two metres is required from buildings, bushes or other objects nearby. Keep the assembly instructions available at all times and follow each of the individual steps exactly.
- Before assembling, lay the components down on the ground according to their numbering. This will make the assembly easier.
- During assembly, be careful with all the parts of the assembly (do not walk on them or distort them) and beware of shearing and trapping risks.
- Keep children and pets away while setting up the Panalsol. Store the tubes in a place out of reach of children.
- Never set up in closed rooms. This Panalsol is for outdoor use only.
- Try to place the Panalsol where it is protected from wind.
- Do not light any fires in or near the Panalsol. Move away from fire and barbecues.
- Do not affix any weights to the roof frame or the roof tension loops.
- Always ensure that the canopy is tensioned to avoid any water collecting on the roof. When not in use, it is recommended to stow the canopy and fasten. It is recommended to remove the canopy and store in a dry environment between September – March.
- Do not use the Panalsol in heavy winds or rain! When heavy rain or snow is expected, the canopy should be dismantled and stored in a dry environment.
- Where there is strong wind or during the winter months, there may be some movement unless secured to the ground.
- Please check the fittings on a regular basis and tighten screws if necessary. The top hinge of the parasol canopy should be maintained twice per year with a silicone spray.
- To clean the frame, we recommend the Kettler Multi-purpose cleaner or alternatively wash with mild soapy water avoiding any harsh chemicals. The canopy can be cleaned with the Kettler fabric care kit. Both items are available to purchase from www.kettler.co.uk.



Attention

Please be aware that painted/varnished surfaces can be damaged by sunscreens and oil based products. If the surface of your Kettler leisure furniture comes into contact with sunscreens, the surface is to be cleaned without delay as described above. Only in this way can lasting discolouration of the surface by the ingredients of the sunscreen be prevented.

For Your Safety

- This product may only be used for its intended purpose as furniture for residential properties.
- Check all components regularly for correct function, damage and loose connections especially at the start of the season and at 1-2 month intervals dependent on use.
- Damaged components may endanger your safety or shorten the life of the product. Replace all damaged parts immediately. Use only spare parts manufactured by Kettler. Should you wish to purchase spare parts, they can be ordered directly from: www.kettler.co.uk/shop
- Kettler will not be responsible for damaged caused by improper use.



Attention

- Whilst assembling this product keep out of the reach of children. (Choking hazard – contains small parts)
- Ensure that your working area is free of possible sources of danger, for example don't leave any tools lying around.
- Always dispose of packaging material in such a way that it may not cause any danger. There is always a risk of suffocation if children play with plastic bags!
- We reserve the right to make changes for technical reasons.



KETTLER



www.kettler.co.uk

Warranty For Home Use

KETTLER parasols are covered by a
12 MONTH WARRANTY.

The warranty applies to domestic use only.

If the product is damaged or chipped, rust may occur, and will not be covered by this warranty. If a product is accidentally damaged you can obtain touch up paint from our website www.kettler.co.uk

To validate your warranty, register at www.kettler.co.uk and quote the product code from the front of this booklet.