



## **ASSEMBLY AND CARE INSTRUCTIONS**

### Milano 100cm Gas Firepit Table

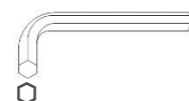


**This is an important document.  
Please retain for future reference.  
Please keep your receipt of purchase. Please note we are unable  
to process any warranty claim without proof of purchase.**

## Care Instructions

- This table top is made from hand-brushed, wood-effect aluminium. While it has been treated with a protective lacquer during production, please avoid contact with sharp or abrasive objects
- Do not touch any part of the firepit that could become hot during operation. Even when switched off, some parts of this product will retain heat for a period of time
- Children should be supervised at all times when firepit is in use or connected to a gas supply
- This product comes equipped with a two7mm Clip-On regulator. Always use a suitable gas supply and perform a gas leak check regularly
- Do not sit or stand on this table
- We recommend cleaning this product periodically with warm, soapy water and a cloth or non-abrasive brush. Do not use harsh or abrasive chemicals
- To keep your product looking its best, we would always recommend covering with an LG Outdoor Furniture Cover when not being used for longer periods. Never cover when product is still warm. Throughout the winter months either bring indoors or cover as above. Failure to do so may invalidate your warranty

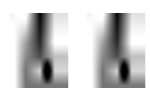
## Necessary Tools Supplied



You will find a pack within this box tied to a red ribbon which contains the fittings.

**WARNING** – the fittings pack contains **SMALL ITEMS** which are a potential choking hazard and should be kept away from children at all times.

## Assembly Requirements

Number of people required to assemble	
Approximate Assembly time	30 minutes

**Read this leaflet in full before commencing assembly.**

## General Warranty Conditions

The warranty applies to the original purchaser from the date of purchase and covers manufacturing faults and defects only. If an item should fail as a result of a manufacturing fault or defect under normal domestic use, the manufacturer at their discretion will repair, refinish or replace the failed item.

The manufacturer reserves the right to substitute failed items with a similar product should the model or colour no longer be available. Any replacement will be for the failed item only, not a complete set. The original warranty period is not extended in the event of a repair, refinish or replacements.

In the event of a failure, it is the customer's responsibility to return the item to the store of purchase along with a copy of the receipt. LG Outdoor will confirm that the customer has registered their warranty. Warranty specifically excludes general wear and tear, rusting of steel components and parts, corrosion, commercial use and damage caused as a result of failure to observe reasonable care, maintenance and assembly instructions for both furniture and hardware.

This product comes with a Limited Warranty which covers the following:


- \* 3 Year Limited Warranty - Aluminium Frames - which excludes damage to the finish caused by corrosion, scratching, pitting, fading or oxidation
- \* 3 Year Limited Warranty - Texteline and Advanced Texteline - which excludes stains, mildew, fading and stretching of fabric

For all other components not covered by the above a standard 12 month warranty will apply

To register your warranty please visit [lgoutdoor.co.uk/furniture-warranty](http://lgoutdoor.co.uk/furniture-warranty) within 28 days of purchase

**LEISUREGROW**

Dewmead Farm  
New Inn Road  
Hinxworth  
SG7 5HG  
[salesupport@leisuregrow.com](mailto:salesupport@leisuregrow.com)

 CE NO.: 60144188	Manufacturer:		Leisuregrow Products Ltd.		
	Model:		XRA2340,TAA1860,XBT0001,XBT0002,XBT0003		
	S/N:				
Category	I <sub>3+(28-30/37)</sub>		I <sub>3B/P(30)</sub>	I <sub>3B/P(37)</sub>	I <sub>3B/P(50)</sub>
Gas type/Gas Pressure	G30 Butane at 28-30mbar	G31 Propane at 37mbar	G30 Butane and G31 Propane at 30mbar	G30 Butane and G31 Propane at 37mbar	G30 Butane and G31 Propane at 50mbar
Injector Size	1.85mm		1.85mm	1.85mm	1.55mm
Destination countries	BE, CH, CY, CZ, ES, FR, GB, GR, IE, IT, LT, LU, LV, PT, SI, SK, TR, IS		BE, BG, CY, CZ, DK, EE, FI, FR, HR, HU, IT, LT, LU, MT, NL, NO, RO, SE, SI, SK, TR, GB, GR, LV	PL	AT, CH, DE, SK, CZ, LU
Heat input(Hs)	13.5kW(G30:981 g/h; G31:964 g/h)				

Product type: fire pit

The use of this appliance in enclosed areas is DANGEROUS and PROHIBITED.

- 1, For use outdoor or in amply ventilated areas.
- 2, An amply ventilated area must have a minimum of 25%of the surface area open;
- 3, The surface area is the sum of the walls surface.

Warning: Accessible parts may be very hot.

Keep young children away.

This appliance must be kept away from flammable materials during use.

Do not move the appliance during use.

Close the valve of the gas cylinder or the regulator after use.

Do not modify the appliance.

Read the instructions before using this appliance. The appliance must be installed in accordance with the instructions and local regulations.

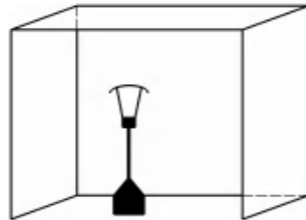
This appliance must be installed in accordance with the rules in force, and used only in a sufficiently ventilated space. Consult instructions before installation and use of this appliance.

This appliance is intended for decorative purpose.

No part of the guard shall be permanently removed.

IT DOES NOT GIVE FULL PROTECTION FOR YOUNG CHILDREN, THE ELDERLY OR THE INFIRM.

WARNING: THIS APPLIANCE HAS A NAKED FLAME, A SUITABLE GUARD SHOULD BE USE FOR THE PROTECTION OF YOUNG CHILDREN, THE ELDERLY AND THE INFIRM.



## Warnings

- This appliance is for outdoor use only and should NOT be used in a building, garage, or any other enclosed area.
- Do NOT use this outdoor firepit for indoor heating TOXIC carbon monoxide fumes can accumulate and cause asphyxiation.
- This outdoor firepit is NOT recommended for commercial use.
- This outdoor firepit is NOT to be operated by children.
- This outdoor firepit is NOT to be used in or on boats or recreational vehicles.
- When using this outdoor firepit, exercise the same precautions you would with any open fire.
- The use of alcohol, prescription or non - prescription drugs may impair the consumer's ability to properly assemble or safely operate this outdoor firepit.
- Do NOT burn charcoal briquets, lump charcoal, manufactured logs, driftwood, trash, leaves, paper, cardboard, plywood, painted or stained or pressure treated wood.
- Do NOT alter this outdoor firepit in any manner.
- Do NOT use this outdoor firepit until it is completely assembled.
- Do NOT store or use gasoline or other flammable vapours or liquids in the vicinity of this or any other appliance.
- Do NOT use this outdoor firepit near cars, trucks, vans or caravans.
- Do NOT use in an explosive atmosphere. Keep outdoor firepit area clear and free from combustible materials, gasoline and other flammable liquids.
- Do NOT use this outdoor firepit under any overhang or near any unprotected combustible constructions. Avoid using near or under any overhanging trees or shrubs.
- Do NOT wear flammable or loose clothing when operating this firepit.
- Do NOT use in windy conditions.
- Do NOT use this outdoor firepit unless the spark guard/fire screen is securely in place.
- Keep all electrical cords away from a hot firepit.
- Keep one meter away from inflammable objects, curtains and so on when using the firepit.
- All surfaces of this outdoor firepit are hot when in operation. To avoid burns, do NOT touch any part of the firepit until it has cooled completely. Wear protective gear (i.e. potholders, gloves, BBQ mittens, hot pads, etc.) to handle any parts.
- Do NOT leave a lit outdoor firepit unattended, especially around children and pets.
- Do NOT attempt to move or store this outdoor firepit until it has cooled down
- Use heat resistant gloves or hot pads when touching any surfaces of the firepit.
- Do NOT lean over this outdoor firepit when lighting or while in use.
- This outdoor firepit should be thoroughly inspected on a regular basis.
- After a period of storage and/or non - use, check for signs of damage. Do NOT operate until necessary repairs and/or clean-up are executed.
- **Death, serious injury or property damage may occur if the above is not followed exactly in bold.**

**CAUTION:** It is not recommended to use this firepit on a wooden or other combustible surface or any surface that is not entirely resistant to high heat. However, if you intend to use this item on a wooden deck or other combustible surface, or any surface that is not entirely resistant to high heat, you **MUST** use a non - flammable and heat resistant material such as concrete pavers, brick, or stone between the firepit and the surface.

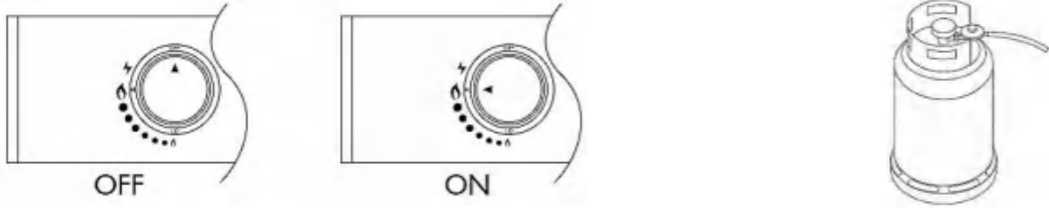
# TESTING YOUR FIREPIT

**TESTING FOR LEAKS – DO THIS BEFORE USING YOUR FIREPIT.** Note – Do not test for gas leaks with an open flame. If you smell gas, turn off at the source.

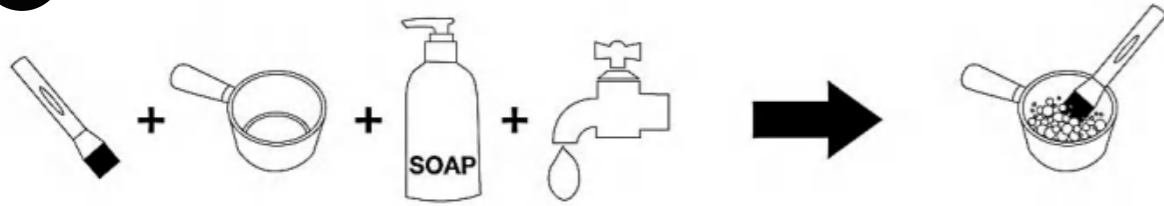
Before first use, at the beginning of each new season, or whenever a gas cylinder is changed, you must check for gas leaks.

**Do so by:**

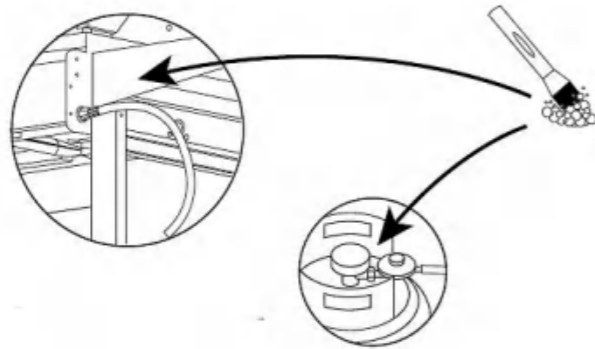
- 1 Turn all gas valves on the Firepit to the **off** position
- 2 Turn **on** the gas cylinder



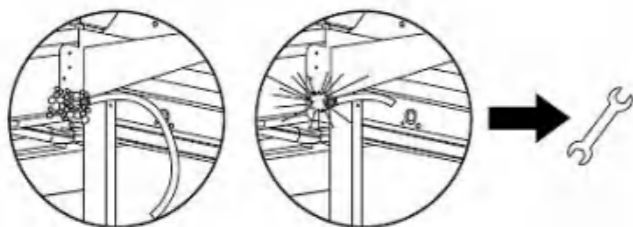
- 3 Make a soap solution of one part liquid detergent and one part water



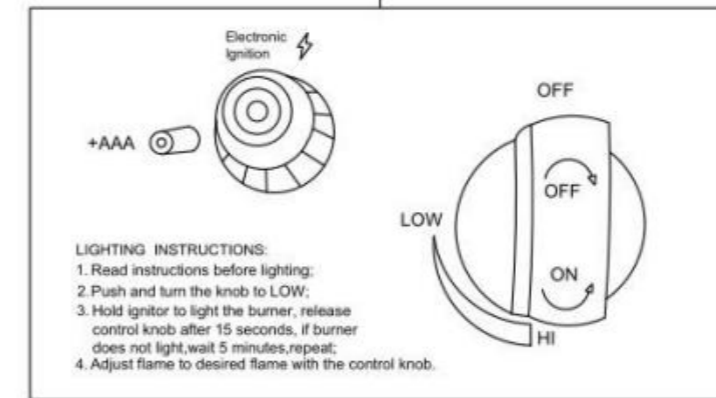
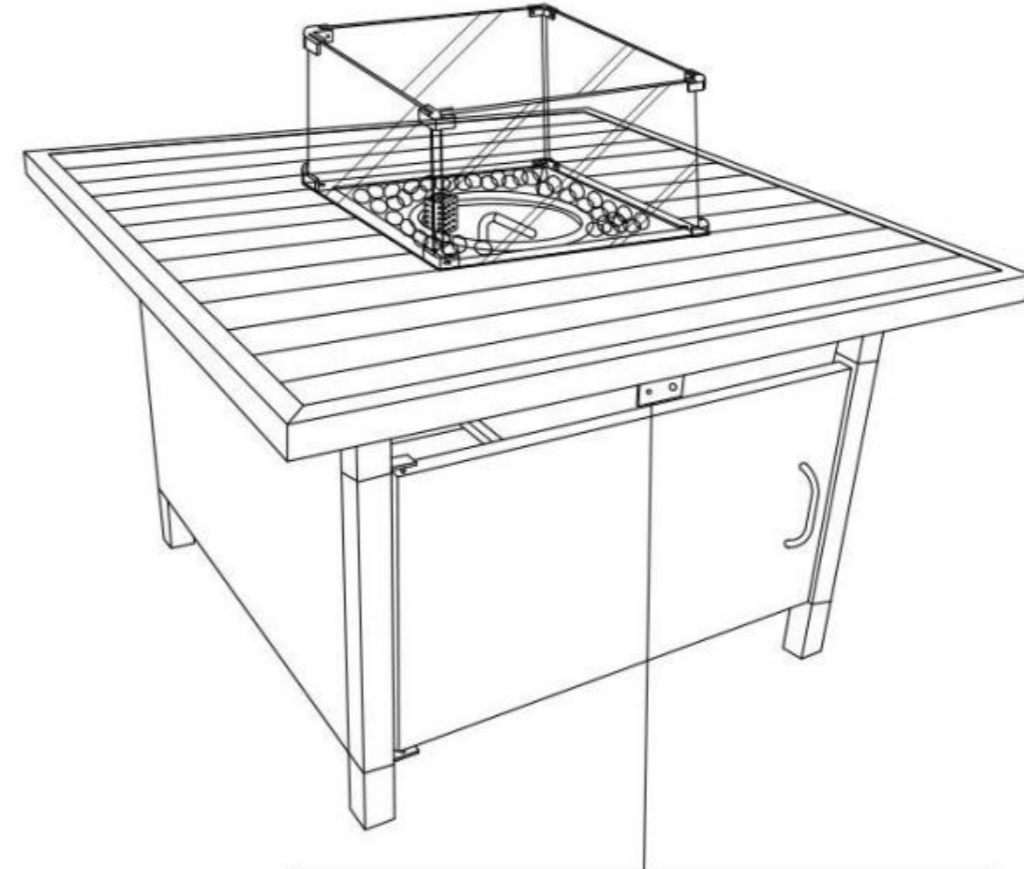
- 4 Brush the soap solution over all gas connections



- 5
  - The presence of bubbles indicates a leak. Tighten or repair as necessary
  - Under no circumstances should a naked flame be used to check for leaks
  - If a gas odour is present and no leaks can be found, do not use the Firepit. Turn the gas off at the source, disconnect the hose and immediately contact your Firepit dealer or place of purchase for assistance

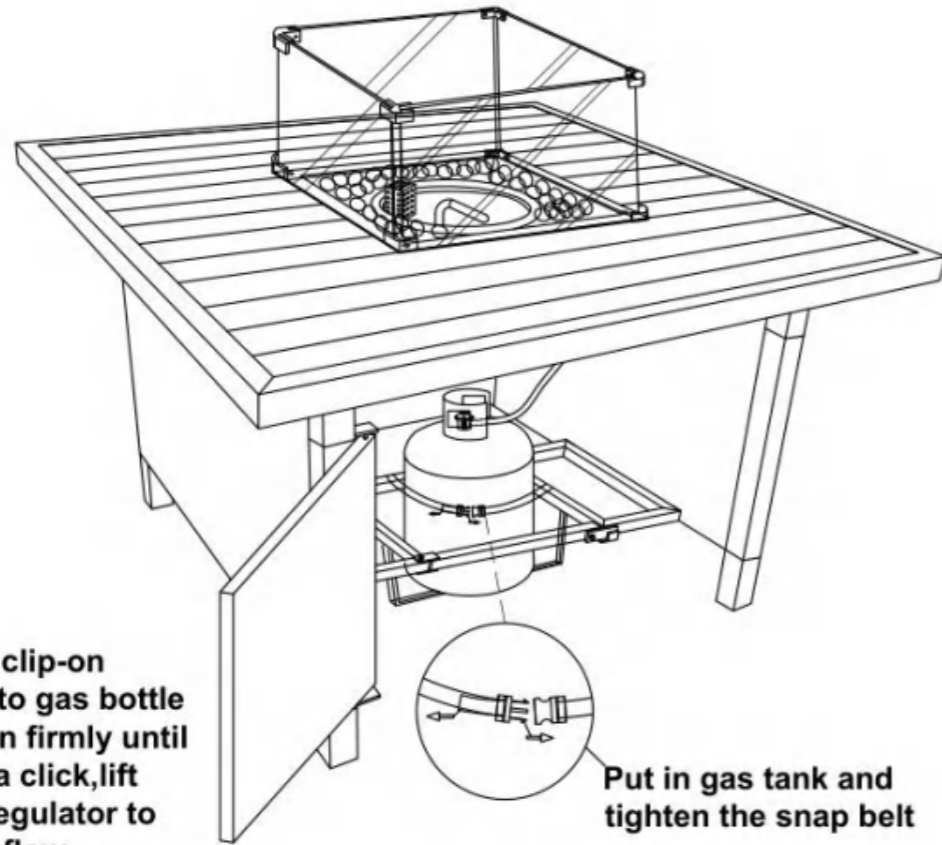


## Step 7



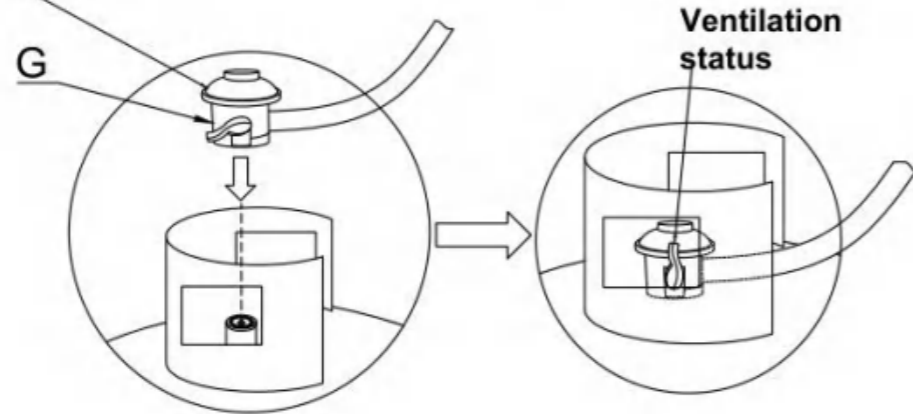
PLEASE PERFORM A GAS LEAK CHECK BEFORE OPERATION.

## Step 6



To attach clip-on regulator to gas bottle push down firmly until you hear a click, lift lever on regulator to allow gas flow

Put in gas tank and tighten the snap belt



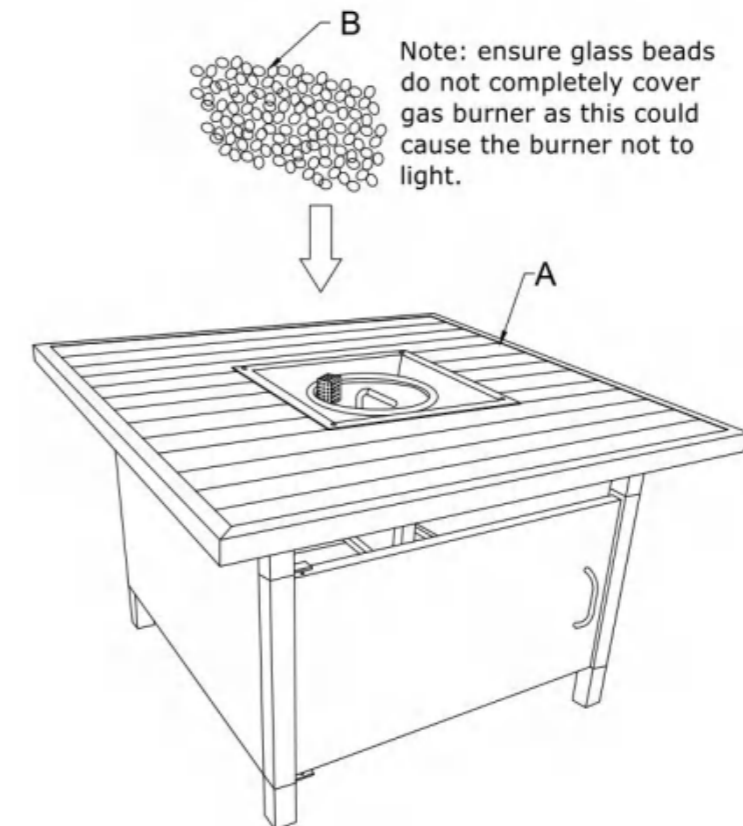
Ventilation status

## Part List Supplied

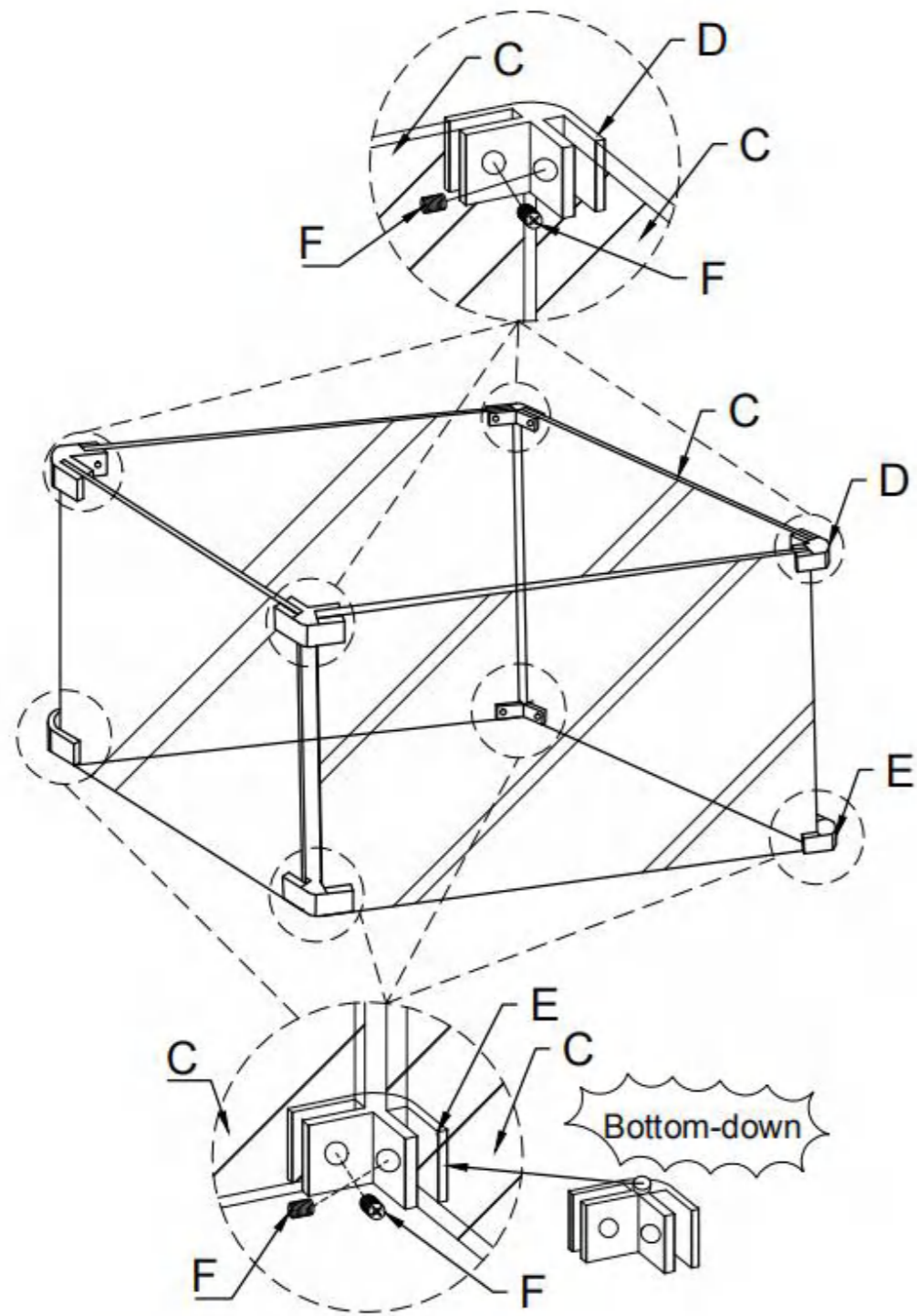
Ref	Part	Image	Qty	Ref	Part	Image	Qty
A	FIREPIT TABLE		1	E	GLASS CONNECTOR-BOTTOM		4
B	GLASS BEAD		6kg	F	SCREW		16
C	GLASS		4	G	ALLEN KEY		1
D	GLASS CONNECTOR-TOP		4				

## Assembly Instructions

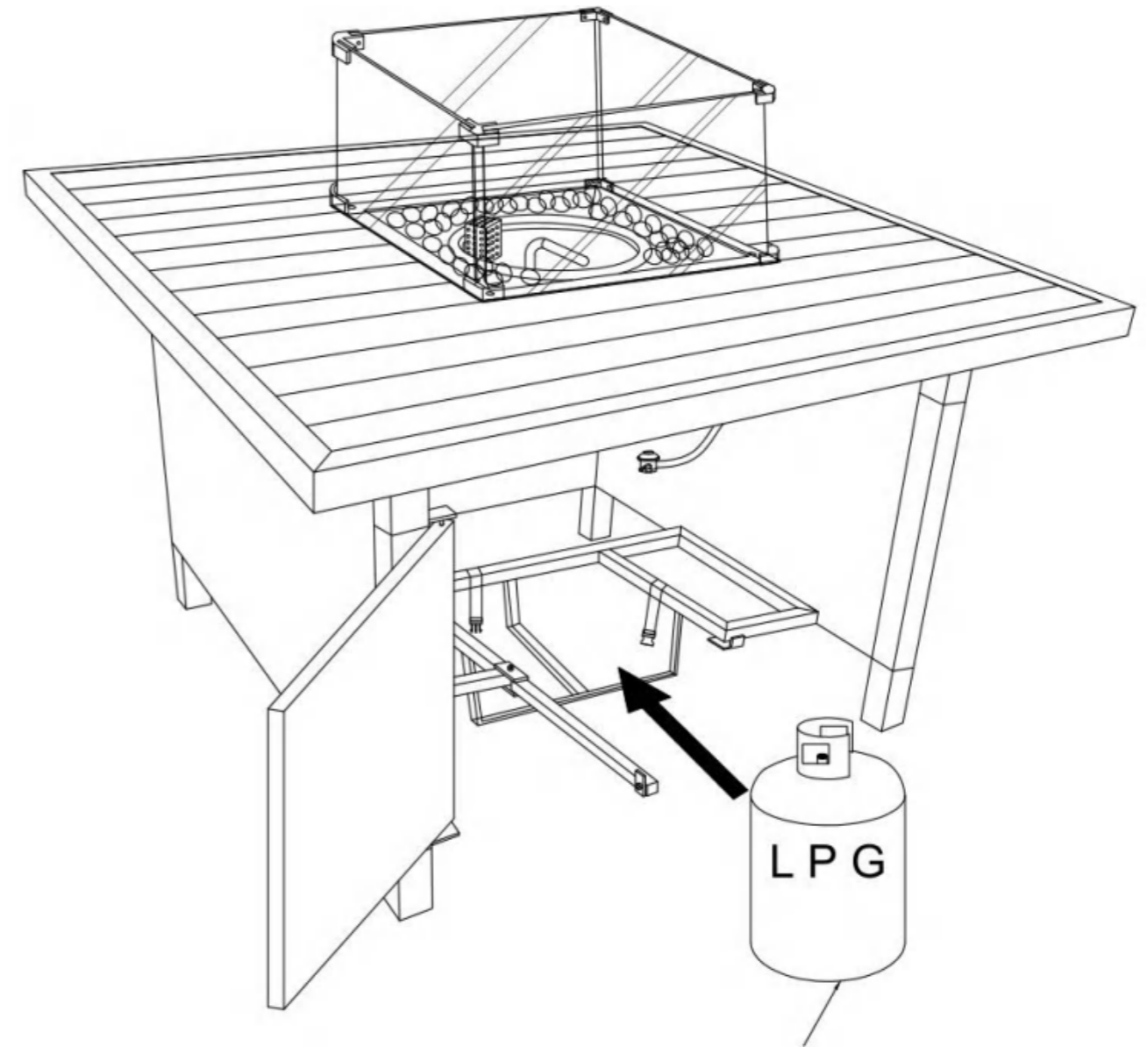
### Step 1



**Step 2**



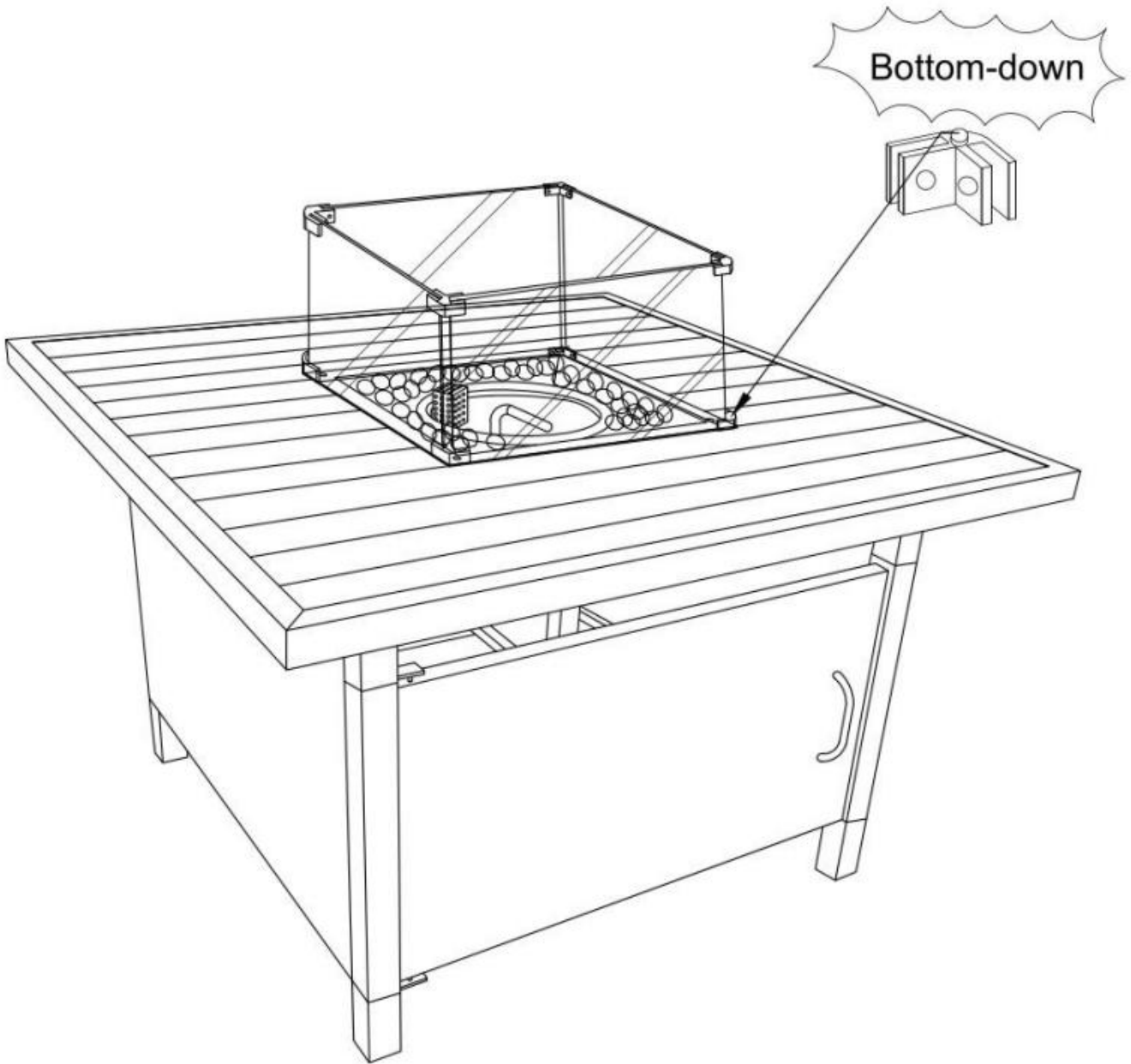
**Step 5**



**Gas bottle not supplied**

**Please note: Your Gas Firepit is supplied with a 27mm clip-on regulator. Please check with your gas bottle supplier to ensure you buy a compatible gas bottle. Maximum gas bottle dimensions: H45cm X 30cm Dia.**

**Step 3**



## Step 4

