



Assembly Instructions

Arley Bistro Set

(Product Codes: 68802158 & 68801158)

**PLEASE RETAIN THIS DOCUMENT ALONG WITH YOUR
PROOF OF PURCHASE FOR FUTURE REFERENCE**

Congratulations on your recent purchase of your beautiful Hartman furniture. We hope it brings you countless special moments with friends and family for many years to come.

Please follow these simple steps to build your furniture. We also have a very useful video available online to assist with the assembly, please visit www.hartmanuk.com

TOP TIPS

- Please read these instructions carefully before assembly, for further assistance please view our assembly video online for an easy step by step demonstration.
- Aluminium is a soft metal and over tightening may strip the thread or break the part, please loosely assembly your furniture before tightening to secure.
- Please **do not** use power tools, only use the tools provided in the bolt pack.
- Please allow 1 hour for assembly.
- This furniture can be assembled with **1** person; however, you may need someone to assist you when turning the furniture over into position.



Assembly Instructions

Arley Dining Chair (Product Codes: 68801158)

**PLEASE RETAIN THIS DOCUMENT ALONG WITH YOUR
PROOF OF PURCHASE FOR FUTURE REFERENCE**


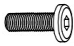




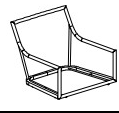

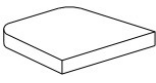

Congratulations on your recent purchase of your beautiful Hartman furniture. We hope it brings you countless special moments with friends and family for many years to come.

Please follow these simple steps to build your furniture. We also have a very useful video available online to assist with the assembly, please visit www.hartmanuk.com

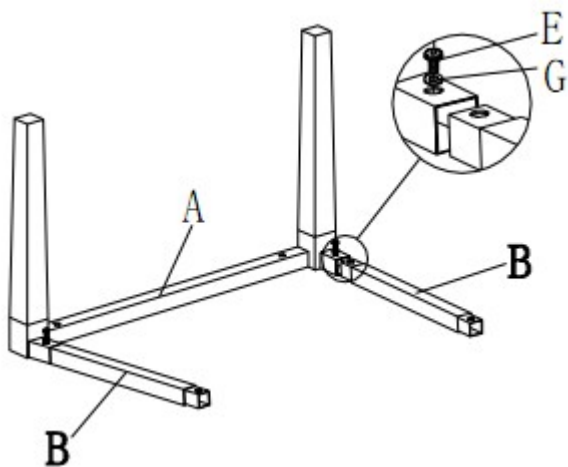
TOP TIPS

- Please read these instructions carefully before assembly, for further assistance please view our assembly video online for an easy step by step demonstration.
- Aluminium is a soft metal and over tightening may strip the thread or break the part, please loosely assembly your furniture before tightening to secure.
- Please **do not** use power tools, only use the tools provided in the bolt pack.
- Please allow 1 hour for assembly.
- This furniture can be assembled with **1** person; however, you may need someone to assist you when turning the furniture over into position.

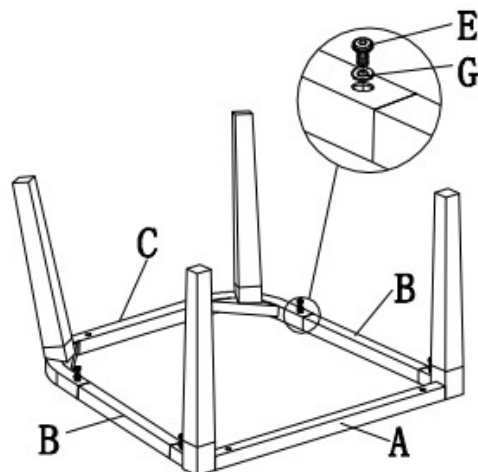
PARTS LIST

Components					Fixings				
Parts List	Parts Picture	Description	Qty	Part No	Parts List	Parts Picture	Description	Qty	Part No
A		Front Leg Frame	1	68801158A	E		M6x15 Bolts	4	1011162
B		Connecting Tube	2	68801158B	F		M6x45 Bolts	4	1131162
C		Rear Leg Frame	1	68801158C	G		Big Flat Washers	8	1061162
D		Seat Frame	1	68801158D	H		Allen Key	1	2002191
I		Seat Cushion	1	68801158I					
J		Back Cushion	1	68801158J					

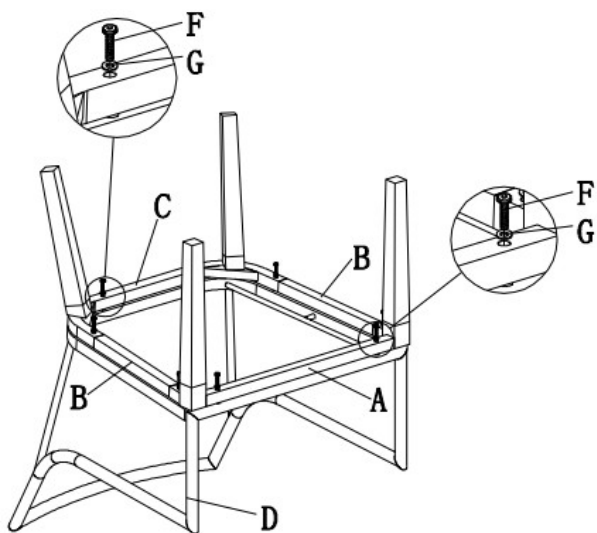
STEP 1, 2 & 3: LEG ASSEMBLY



STEP 1: Loosely attach front leg frame (A) to connecting tubes (B) with bolts (E) and big flat washers (G) using Allen key (H).

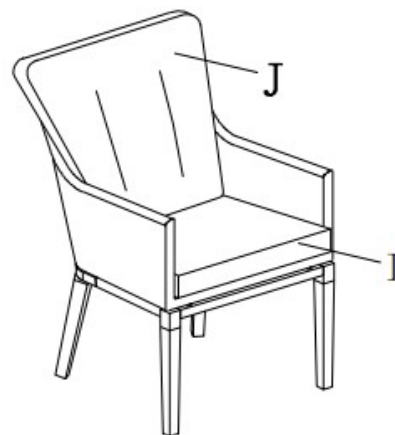


STEP 2: Loosely attach rear leg frame (C) to the end of connecting tubes (B) with bolts (E) and big flat washers (G) using Allen key (H).



STEP 3: Loosely attach assembled leg frame to the seating frame (D) with bolts (F) and big flat washers (G) using Allen key (H).

Tighten all bolts using Allen key (H) one by one being careful not to over tighten any as this will cause the thread to become damaged.



STEP 4: Turn the chair over and place in desired position. Put seat cushion (I) and back cushion (J) on the seat.

You can now use the chair.



Assembly Instructions

Arley Square Bistro Table

(Product Codes: 68802158)

**PLEASE RETAIN THIS DOCUMENT ALONG WITH YOUR
PROOF OF PURCHASE FOR FUTURE REFERENCE**








Congratulations on your recent purchase of your beautiful Hartman furniture. We hope it brings you countless special moments with friends and family for many years to come.

Please follow these simple steps to build your furniture. We also have a very useful video available online to assist with the assembly, please visit www.hartmanuk.com

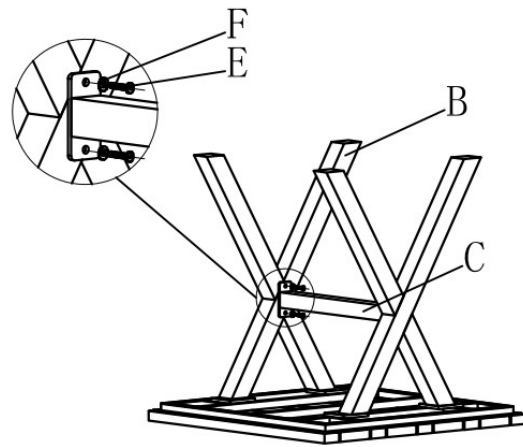
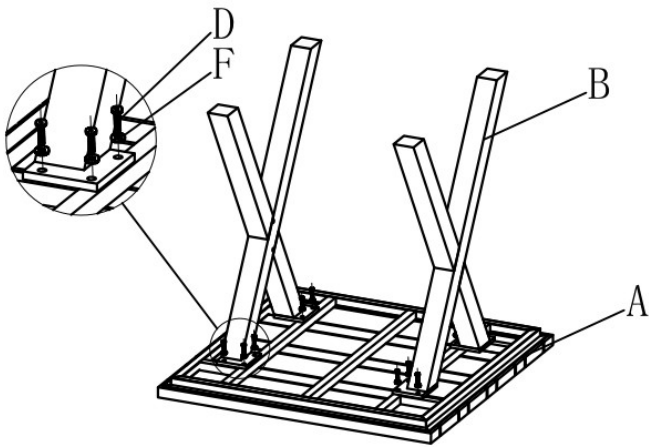
TOP TIPS

- Please read these instructions carefully before assembly, for further assistance please view our assembly video online for an easy step by step demonstration.
- Aluminium is a soft metal and over tightening may strip the thread or break the part, please loosely assemble your furniture before tightening to secure.
- Please **do not** use power tools, only use the tools provided in the bolt pack.
- Please allow 1 hour for assembly.
- This furniture can be assembled with **1** person; however, you may need someone to assist you when turning the furniture over into position.

PARTS LIST

Components					Fixings				
Parts List	Parts Picture	Description	Qty	Part No	Parts List	Parts Picture	Description	Qty	Part No
A		Table Top	1	68802158A	D		M6x25 Bolts	12	1231162
B		Legs	2	68802158B	E		M6x20 Bolts	4	1091162
C		Connecting Bar	1	68802158C	F		M6 Flat Washers	16	1061166
					G		Allen Key	1	2002191

STEP 1 & 2: LEG ASSEMBLY



STEP 1: Turn the table top (A) upside down on a soft, clean surface. Loosely attach the 2 legs (B) to the table top (A) with bolts (D) and flat washers (F) using Allen key(G).

STEP 2: Loosely attach connecting bar (C) between 2 legs (B) with bolts (E) and flat washers (F) using Allen key(G). Tighten all bolts using Allen key (G) one by one being careful not to over tighten any as this will cause the thread to become damaged.



Turn the table over and place in desired position. You can now use the table.