

PLEASE KEEP ME WITH YOUR PROOF OF PURCHASE FOR FUTURE REFERENCE



## ASSEMBLY INSTRUCTIONS

### Crucible Table Top & Base

63001924











#### ATTENTION:

1. Please read these instructions carefully before assembly
2. Aluminium is soft metal and over tightening may strip thread or break the part
3. **DO NOT** use power tools
4. Please allow 30 minutes for assembly.
5. Although assembly only requires 1 person it is advised that a second person be present to help turn the table over and into position when fully assembled

#### TABLE ASSEMBLY STEPS:

1. Turn the table top (A) upside down on a soft clean surface
2. **LOOSELY** attach legs(D&E) to the Baize Top(A) with bolts(H) and big flat washers(J) using spanner(K)
3. **LOOSELY** attach shelf(C) to the legs(D&E) with bolts(I) and big flat washers(J) using spanner(K)
4. **LOOSELY** attach connecting bar(B) to the legs(D&E) with bolts(H) and big flat washers(J) using spanner(K)
5. Tighten all bolts using spanner (K) one by one being careful not to over tighten any as this will cause the thread to become damaged
6. Turn the table over and place in desired position, then put the aluminium table tops (F) on top.
7. If using it as tennis table, firstly install net post(S) and net(T) on table top, then put tennis bats(U) and balls(V) on top.
8. If using it as pool table, to prevent scratches firstly cover the aluminium table tops into separate covers (R), then put them on the shelf(C) under the Baize top. N:B pay attention to the correct direction for storing, please ensure the flat surfaces are laying on top of each other . Then take all accessories (M, N, O, P) from bench with storage to table top.

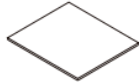


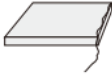








For more information regarding maintenance of your furniture please visit <http://www.hartmanuk.com>

| Component's |   |                 |      | Fixings                |            |   |             |      |                        |
|-------------|---|-----------------|------|------------------------|------------|---|-------------|------|------------------------|
| Parts List  | Parts Picture   | Description     | Q'ty | Part no                | Parts list | Parts Picture   | Description | Q'ty | Part no.               |
| A           |  | Baize Table top | 1    | 63001924A<br>63002924A | G          |   | Leg Leveler | 4    | 63001924G<br>63002924G |
| B           |  | Connecting bar  | 1    | 63001924B<br>63002924B | H          |   | M6*25 bolts | 20   | 1017162                |
| C           |  | Shelf           | 1    | 63001924C<br>63002924C | I          |   | M6*35 bolts | 4    | 1111162                |
| D           |  | Legs            | 2    | 63001924D<br>63002924D | J          |  | Flat washer | 24   | 1061162                |
| E           |  | Legs            | 2    | 63001924E<br>63002924E | K          |   | Spanner     | 1    | 1060162                |

For replacement or lost spare parts please go to <http://faq.hartmanuk.co.uk/spares/>

**Should you have any queries about your furniture your first point of contact should be the retailer from whom you purchased your product**

PLEASE KEEP ME WITH YOUR PROOF OF PURCHASE FOR FUTURE REFERENCE

|   |   |                 |   |                        |   |   |                            |   |                        |
|---|---|-----------------|---|------------------------|---|---|----------------------------|---|------------------------|
| F |  | Alu. Table Tops | 2 | 63001924F<br>63002924F | L |   | Gradienter                 | 1 | 63001924L<br>63002924L |
| M |  | Pool cues       | 2 | 63001924M<br>63002924M | R |   | Covers for alu. Table Tops | 2 | 63001924R<br>63002924R |
| N |  | Triangle        | 1 | 63001924N<br>63002924N | S |  | Tennis net post            | 2 | 63001924S<br>63002924S |
| O |  | Chalks          | 2 | 63001924O<br>63002924O | T |   | Tennis net                 | 1 | 63001924T<br>63002924T |
| P |  | Pool balls      | 1 | 63001924P<br>63002924P | U |  | Tennis bats                | 2 | 63001924U<br>63002924U |
| Q |  | Brush           | 1 | 63001924Q<br>63002924Q | V |  | Tennis balls               | 2 | 63001924V<br>63002924V |

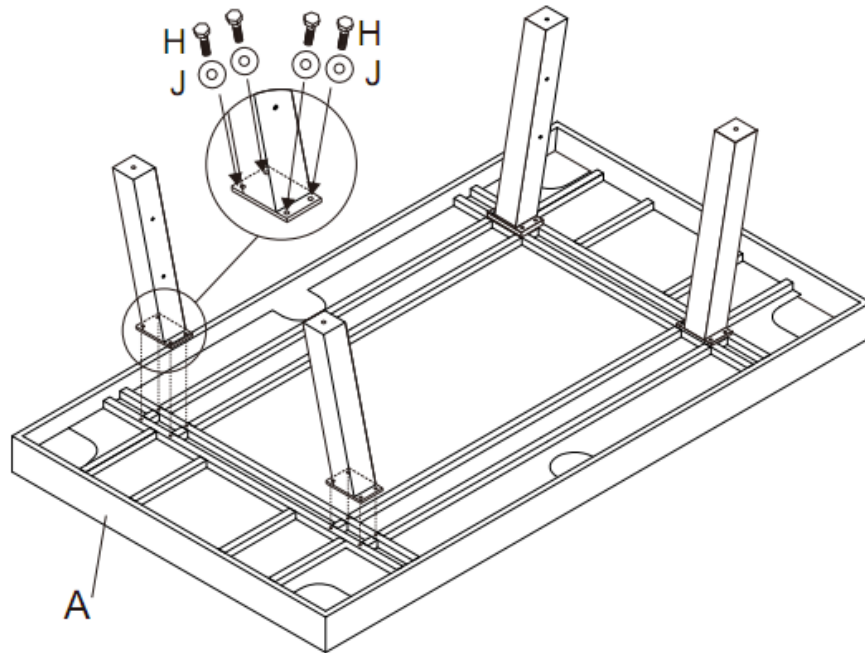
For replacement or lost spare parts please go to <http://faq.hartmanuk.co.uk/spares/>

**Should you have any queries about your furniture your first point of contact should be the retailer from whom you purchased your product**

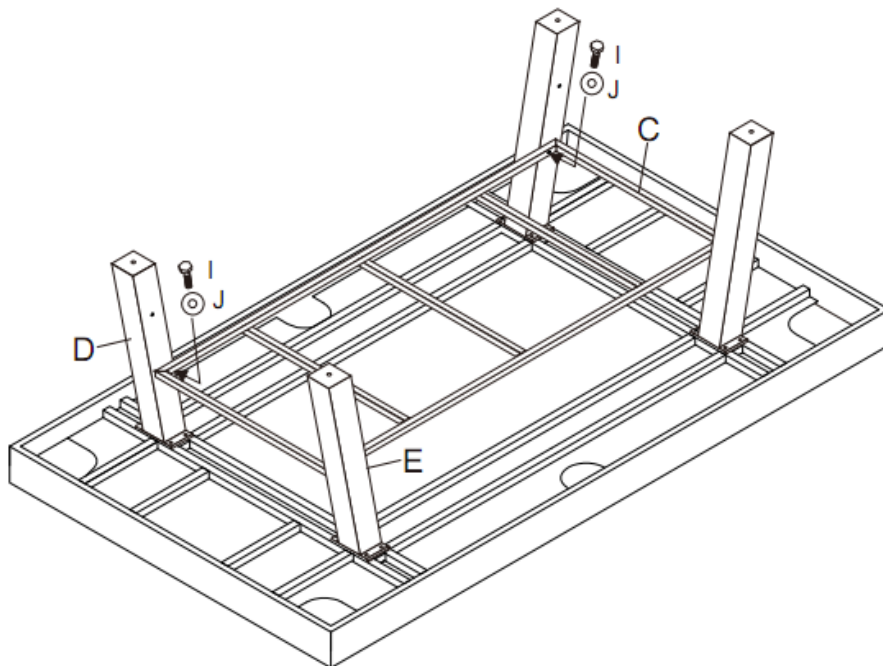
PLEASE KEEP ME WITH YOUR PROOF OF PURCHASE FOR FUTURE REFERENCE  
**ASSEMBLY INSTRUCTIONS**

**Crucible Table Top & Base**

1



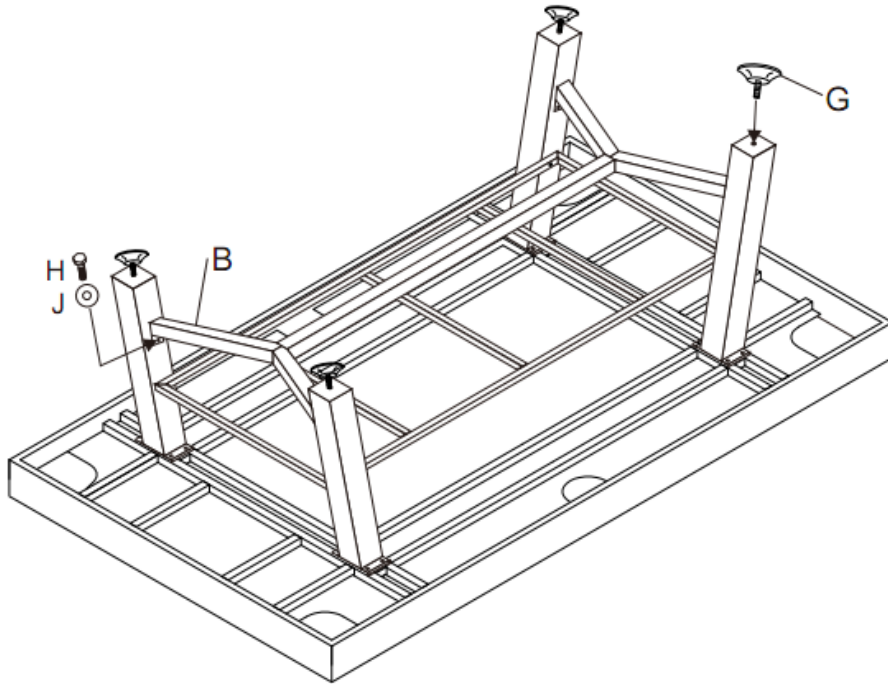
2



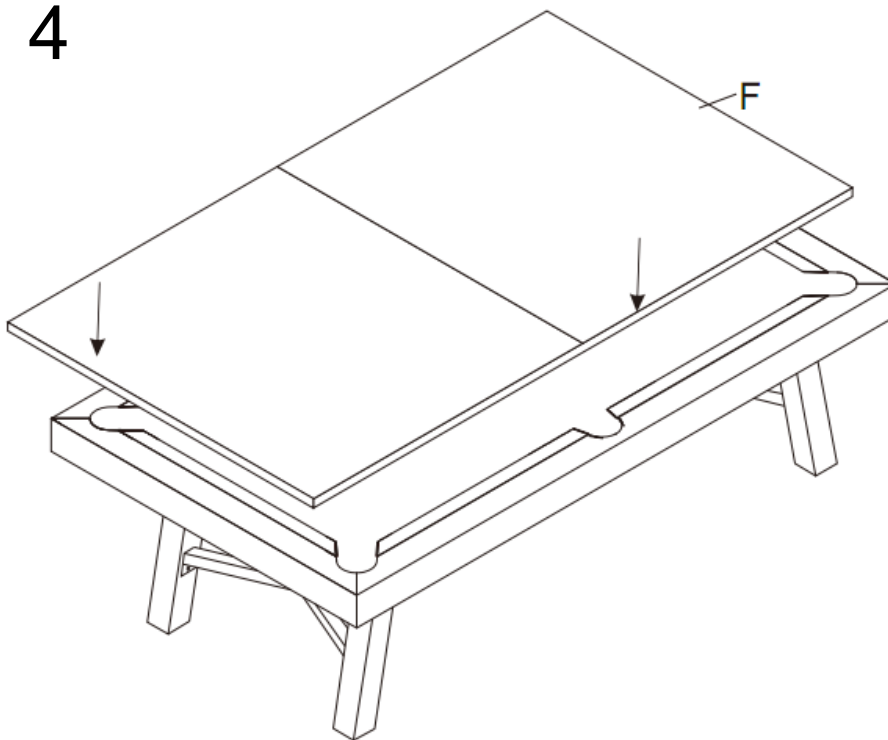
For replacement or lost spare parts please go to <http://faq.hartmanuk.co.uk/spares/>  
**Should you have any queries about your furniture your first point of contact should be the retailer from whom you purchased your product**

PLEASE KEEP ME WITH YOUR PROOF OF PURCHASE FOR FUTURE REFERENCE

3



4

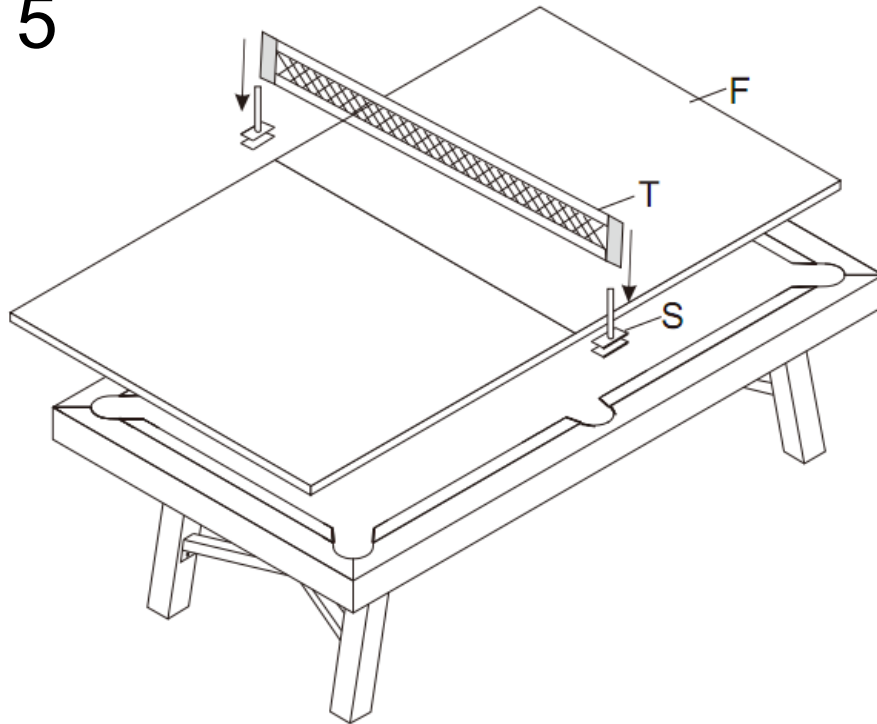


For replacement or lost spare parts please go to <http://faq.hartmanuk.co.uk/spares/>  
**Should you have any queries about your furniture your first point of contact should be the retailer from whom you purchased your product**

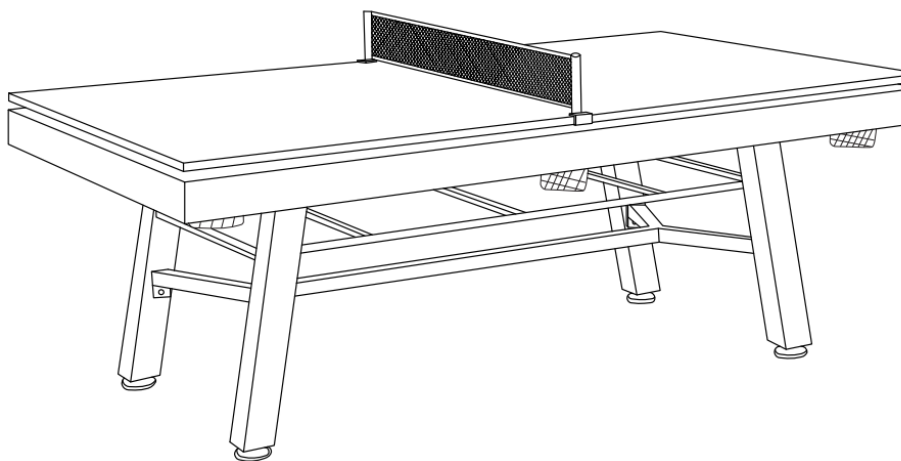
PLEASE KEEP ME WITH YOUR PROOF OF PURCHASE FOR FUTURE REFERENCE



5



6

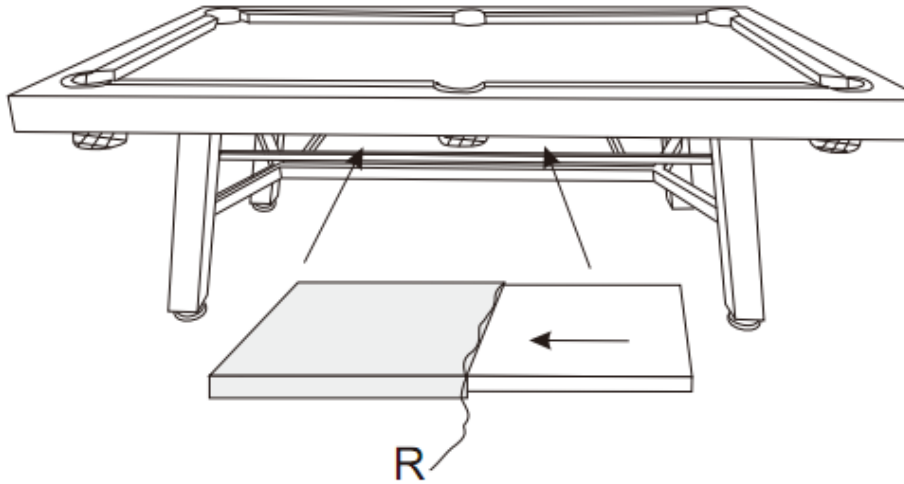


For replacement or lost spare parts please go to <http://faq.hartmanuk.co.uk/spares/>  
**Should you have any queries about your furniture your first point of contact should be the retailer from whom you purchased your product**

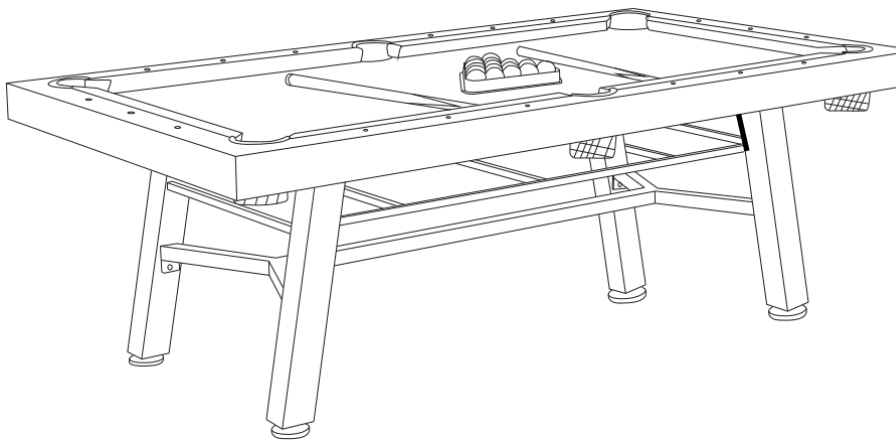
PLEASE KEEP ME WITH YOUR PROOF OF PURCHASE FOR FUTURE REFERENCE



7



8



For replacement or lost spare parts please go to <http://faq.hartmanuk.co.uk/spares/>  
Should you have any queries about your furniture your first point of contact should be the retailer from whom you purchased your product