



# Assembly Instructions

## **Eton Bistro Table** **(Product Codes: 68802148)**

**PLEASE RETAIN THIS DOCUMENT ALONG WITH YOUR  
PROOF OF PURCHASE FOR FUTURE**












Congratulations on your recent purchase of your beautiful Hartman furniture. We hope it brings you countless special moments with friends and family for many years to come.

Please follow these simple steps to build your furniture. We also have a very useful video available online to assist with the assembly, please visit [www.hartmanuk.com](http://www.hartmanuk.com)

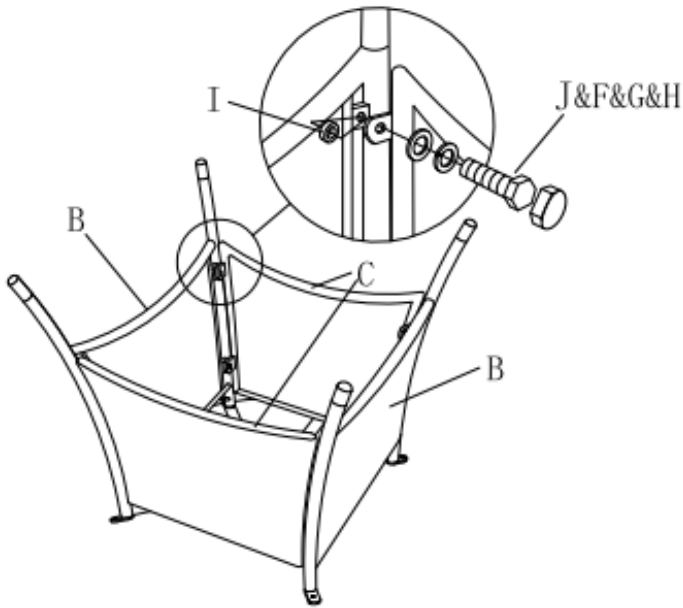
### **TOP TIPS**

- Please read these instructions carefully before assembly, for further assistance please view our assembly video online for an easy step by step demonstration.
- Aluminium is a soft metal and over tightening may strip the thread or break the part, please loosely assembly your furniture before tightening to secure.
- Please **do not** use power tools, please use the spanner provided in the bolt pack.
- Please allow 1 hour for assembly.
- This furniture can be assembled with **1** person; however, you may need someone to assist you when turning the furniture over into position.

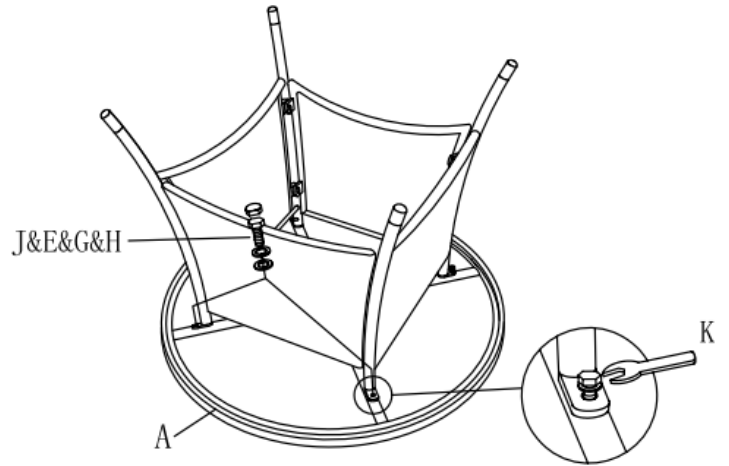
## PARTS LIST

Components					Fixings				
Parts List	Parts Picture	Description	Qty	Part no	Parts List	Parts Picture	Description	Qty	Part no
A		Table Top Frame	1	68802148A	E		M6*20 Bolts	4	2002169
B		Table Leg	2	68802148B	F		M6*40 Bolts	8	2002168
C		Table Side Panel	2	68802148C	G		Big Flat Washers	12	1061162
D		Millstone Ceramic Glass	1	68802148D	H		Small Lock Washers	12	1221162
					I		Plastic Washers	8	1008165
					J		Nut Cap	12	2002170
					K		Spanner	1	1020162

## STEP 1 & 2: Leg ASSEMBLY



**STEP 1:** Loosely attach legs (B) to panels (C) with bolts (F), big flat washers (G), small lock washer (H) and plastic washers (I) using spanner (K).



**STEP 2:** Loosely attach the pre-assembled leg section to the table top (A) with bolts (E) and big flat washers (G) and small lock washer (H) using spanner (K).

Tighten all bolts using the spanner (K). Place nut caps (J) on all visible bolts (E and F)

## STEP 3: FLIP AND ADD GLASS



**STEP 3:** Turn your assembled table over and position where required. Carefully place glass top (D) onto the table top (A) within recessed weave and press gently onto suckers. You can now use the table.

