



Assembly Instructions

Eton Rectangular Adjustable Table Top & Base

(Product Codes: 68818148/68819148)

**PLEASE RETAIN THIS DOCUMENT ALONG WITH YOUR
PROOF OF PURCHASE FOR FUTURE**








Congratulations on your recent purchase of your beautiful Hartman furniture. We hope it brings you countless special moments with friends and family for many years to come.

Please follow these simple steps to build your furniture. We also have a very useful video available online to assist with the assembly, please visit www.hartmanuk.com

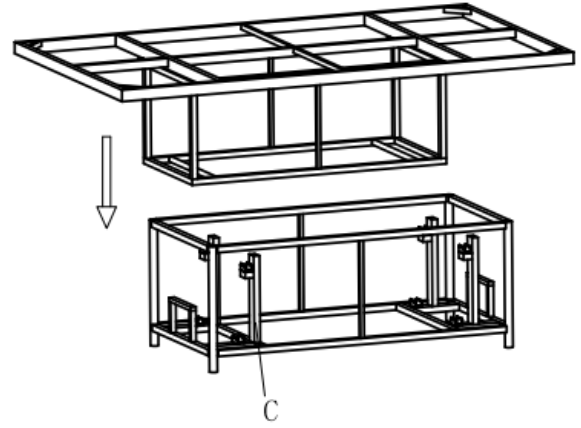
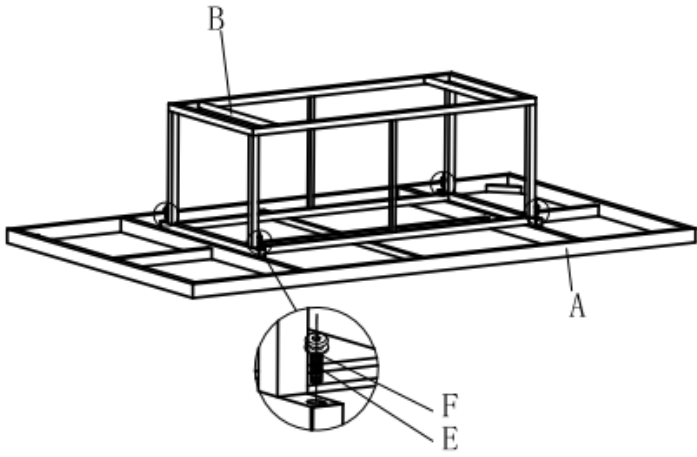
TOP TIPS

- Please read these instructions carefully before assembly, for further assistance please view our assembly video online for an easy step by step demonstration.
- Aluminium is a soft metal and over tightening may strip the thread or break the part, please loosely assembly your furniture before tightening to secure.
- Please **do not** use power tools, please use the Allen key provided in the bolt pack.
- Please allow 1 hour for assembly.
- This furniture can be assembled with **1** person; however, you may need someone to assist you when turning the furniture over into position.

PARTS LIST

Components					Fixings				
Parts List	Parts Picture	Description	Qty	Part no	Parts List	Parts Picture	Description	Qty	Part no
A		Table Top Frame	1	68818148A	E		M6*40 Bolts	4	1006162
B		Connecting Section	1	68819148B	F		M6 Flat Washers	4	1061162
C		Base	1	68819148C	G		Allen Key	1	2002191
D		Millstone Ceramic Glass	1	68819148D					

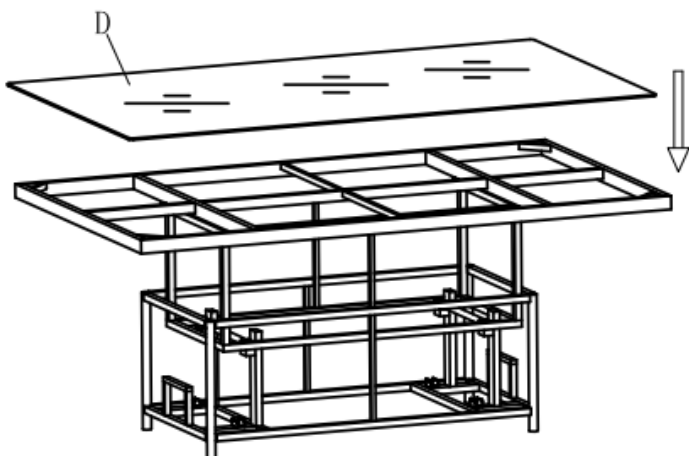
STEP 1 & 2: TABLE TOP & BASE ASSEMBLY



STEP 1: Attach middle connection section (B) to table top (A) using bolts (E) and washers (F), tighten all bolts using the Allen key (G).

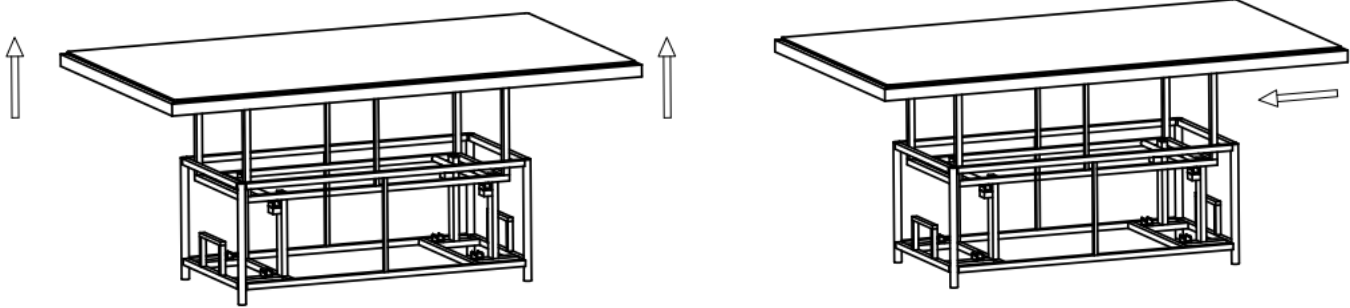
STEP 2: Place assembled table top into the bottom base (C) until it clicks into place.

STEP 3: PLACE GLASS

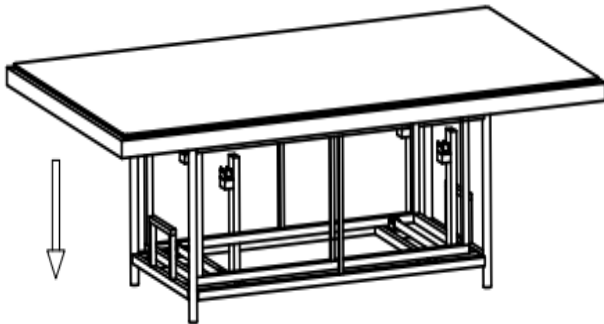


STEP 3: Carefully place the glass (D) on top of the table top (A) after it is clipped at your desired height.

CHANGE TO THE OTHER HEIGHT:



STEP 1: Lift the table top and move slide forward until you feel the top clip into the high adjustment, or to lower table height, lift up the table top a little bit and move backward to the left direction to adjust to the lowered height.



STEP 2: Once it is in the correct position for your desired table height, gently place the table top back into the slot of the base frame

ADJUSTMENT INSTRUCTIONS

1. For a rectangular adjustable table, two people are needed.
2. Place foot into the step at the bottom of the table base to stop the table from moving when making the adjustment.
3. Place hands on either side of the table top, and gently pull until you feel the table unclip from the base frame.
4. Lift the table top and move slide forward until you feel the top clip into the high adjustment, or to lower table height, lift up the table top a little bit and move backward to the left direction to adjust to the lowered height.
5. Once it is in the correct position for your desired table height, gently place the table top back into the slot of the base frame.
6. Holding the table top at either side, gently push until you feel it click back securely into the base frame.
7. Make sure the table top is securely and evenly in place before use. If the table top is not correctly in place, repeat steps 2 to 6 until you are happy the table top is secure and at your desired height.