



Assembly Instructions

Eton Square Casual Dining Corner Sofa Unit (Product Codes: 68816148)

**PLEASE RETAIN THIS DOCUMENT ALONG WITH YOUR
PROOF OF PURCHASE FOR FUTURE**



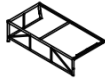



Congratulations on your recent purchase of your beautiful Hartman furniture. We hope it brings you countless special moments with friends and family for many years to come.

Please follow these simple steps to build your furniture. We also have a very useful video available online to assist with the assembly, please visit www.hartmanuk.com

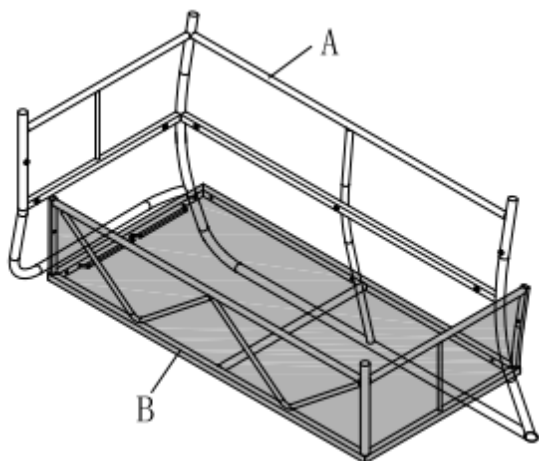
TOP TIPS

- Please read these instructions carefully before assembly, for further assistance please view our assembly video online for an easy step by step demonstration.
- Aluminium is a soft metal and over tightening may strip the thread or break the part, please loosely assembly your furniture before tightening to secure.
- Please **do not** use power tools, please use the spanner provided in the bolt pack.
- Please allow 1 hour for assembly.
- This furniture can be assembled with **1** person; however, you may need someone to assist you when turning the furniture over into position.

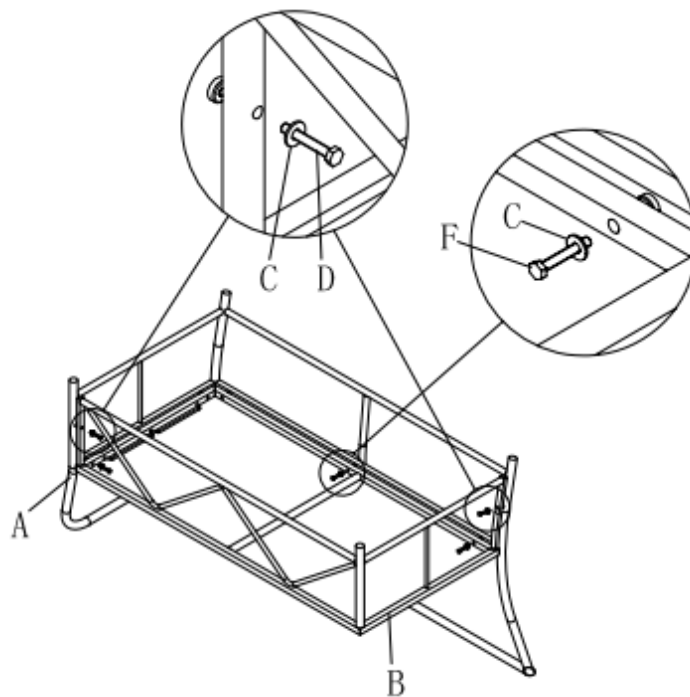
PARTS LIST - LEFT HAND CORNER

Components					Fixings				
Parts List	Parts Picture	Description	Qty	Part no	Parts List	Parts Picture	Description	Qty	Part no
A		Backrest with LH Arm	1	68816148ALH	C		Big Flat Washers	7	1061162
B		Seating Section	1	68816148BLH	D		M6*40 Bolts	2	2002176
					E		M6*45 Bolts	5	2002167
					F		Spanner	1	1020162

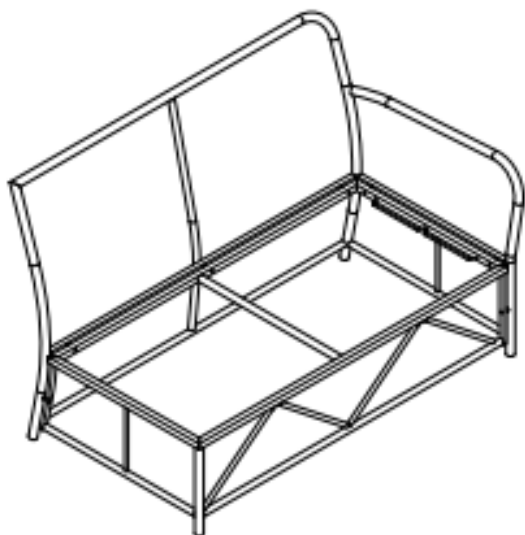
ASSEMBLY - LEFT HAND CORNER



STEP 1: Position part (A) and part (B) ready for assembly.









STEP 2: With 5 bolts (E) and 5 flat washers (C) loosely attach back piece (A) with spanner (F) to seating section (B). With 2 bolts (D) and 2 flat washers (C) loosely attach front and rear leg with spanner (F) to seating section (B).

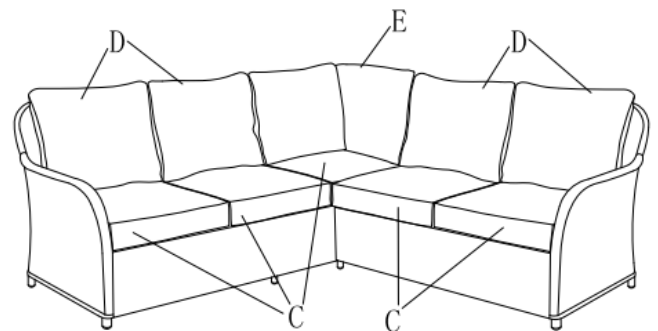
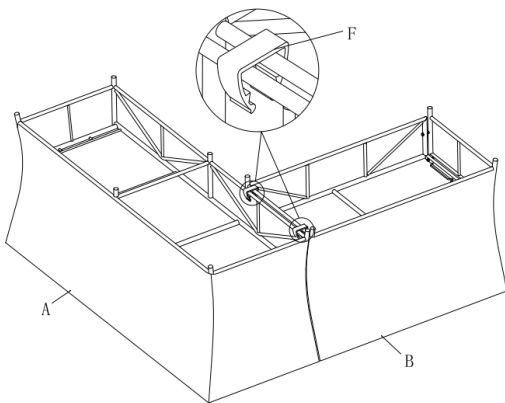


STEP 3: Tighten all bolts using the spanner (F). Turn it over and place where required.

PARTS LIST - CONNECTOR

Components					Fixings				
Parts List	Parts Picture	Description	Qty	Part no	Parts List	Parts Picture	Description	Qty	Part no
A		RH Corner	1	68816148A	F		Bracket	2	2200011
B		LH Corner	1	68816148B					
C		Standard Seat Cushion	5	5ENSC001OL					
D		Standard Back Cushion	4	5ENBC001OL					
E		Combined Back Corner Cushion	1	5ENBC002OL					

CONNECTING INSTRUCTION - LEFT HAND CORNER & RIGHT HAND CORNER



STEP 1: Position RH corner (A) and LH corner (B) ready for assembly.
With 2 brackets (F) position over the section that adjoin part (A) and (B).

STEP 2: Turn sofas over and place where required.
Put all seat cushions (C) and back cushions (D and E) on the sofas.
You can now use the product.