



# Assembly Instructions

## Eton Square Adjustable Table Top & Base

(Product Codes: 68820148/68821148)

**PLEASE RETAIN THIS DOCUMENT ALONG WITH YOUR  
PROOF OF PURCHASE FOR FUTURE**



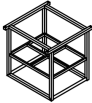

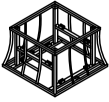



Congratulations on your recent purchase of your beautiful Hartman furniture. We hope it brings you countless special moments with friends and family for many years to come.

Please follow these simple steps to build your furniture. We also have a very useful video available online to assist with the assembly, please visit [www.hartmanuk.com](http://www.hartmanuk.com)

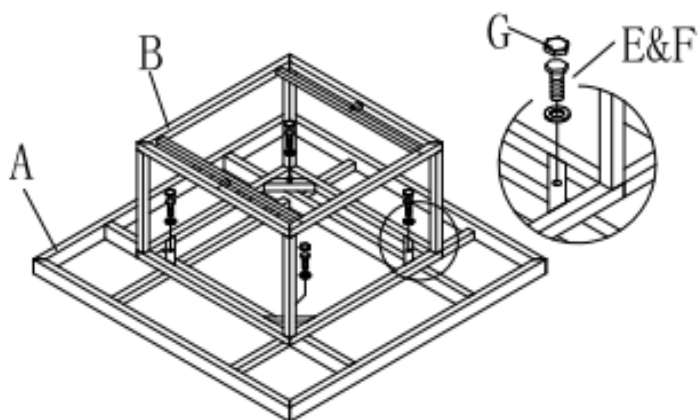
### TOP TIPS

- Please read these instructions carefully before assembly, for further assistance please view our assembly video online for an easy step by step demonstration.
- Aluminium is a soft metal and over tightening may strip the thread or break the part, please loosely assemble your furniture before tightening to secure.
- Please **do not** use power tools, please use the Allen key provided in the bolt pack.
- Please allow 1 hour for assembly.
- This furniture can be assembled with **1** person; however, you may need someone to assist you when turning the furniture over into position.

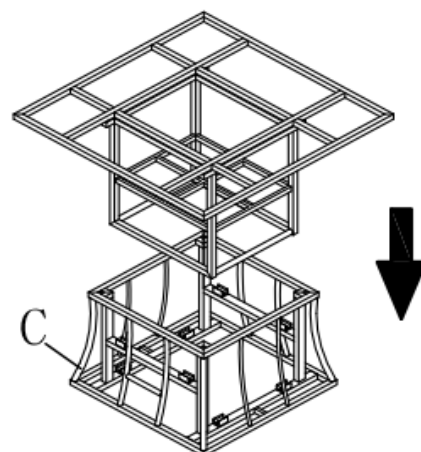
## PARTS LIST

Components					Fixings				
Parts List	Parts Picture	Description	Qty	Part no	Parts List	Parts Picture	Description	Qty	Part no
A		Table Top Frame	1	68820148A	E		M6*40 Bolts	4	1006162
B		Connecting Section	1	68821148B	F		M6 Flat Washers	4	1061162
C		Base	1	68821148C	G		Nut Cap	4	2002170
D		Millstone Ceramic Glass	1	68821148D	H		Allen Key	1	2002191

## STEP 1 & 2: TABLE TOP & BASE ASSEMBLY

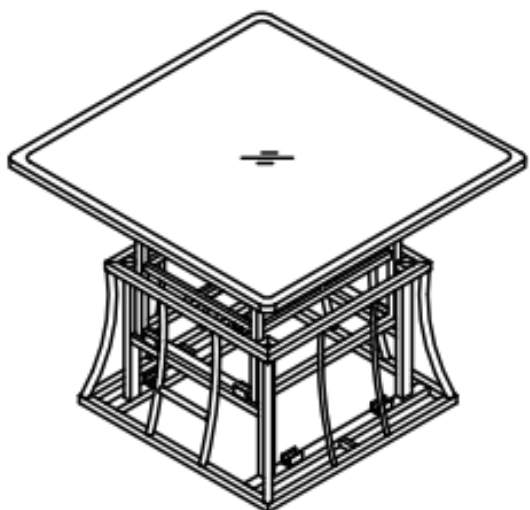


**STEP 1:** Attach middle connection section (B) to table top (A) using bolts (E) and washers (F), tighten all bolts using the Allen key (H). Place nut caps (G) on all visible bolts (E).



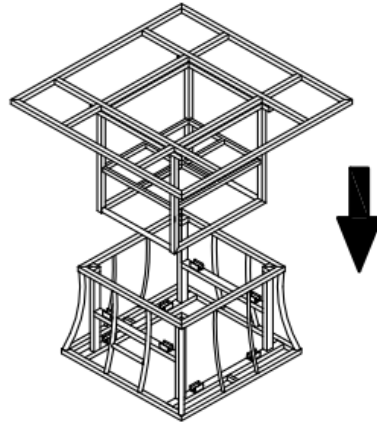
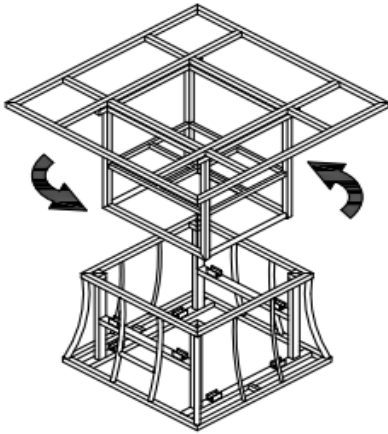
**STEP 2:** Place assembled table top into the bottom base (C) until it clicks into place.

## STEP 3: PLACE GLASS

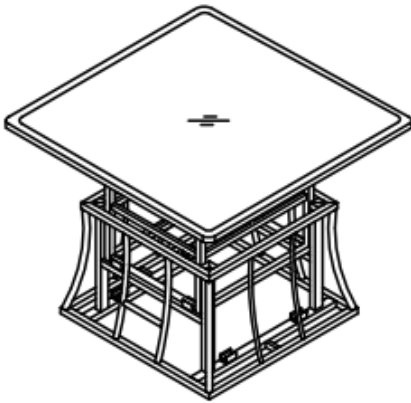


**STEP 3:** Carefully place the glass (D) on top of the table top (A) after it is clipped at your desired height.

## ADJUST THE HEIGHT:



**STEP 1:** Lift the table top out of the base frame, rotate 90°, and gently place back into the base frame. You should now see that the table has been placed at a different height.



**STEP 2:** Holding the table top at either side, gently push until you feel it click back securely into the base frame.

## ADJUSTMENT INSTRUCTIONS

1. Two people are required to adjust the table height.
2. Place toes into the gap at the bottom of the table base, this prevents the base from lifting with the table top.
3. Place hands on either side of the table top, and gently pull until you feel the table unclip from the base frame.
4. Lift the table top out of the base frame, rotate 90° , and gently place back into the base frame. You should now see that the table has been placed at a different height.
5. Holding the table top at either side, gently push until you feel it click back securely into the base frame.
6. Make sure the table top is securely and evenly in place before use. If the table top is not correctly in place, repeat steps 2 to 5.