

PLEASE KEEP ME WITH YOUR PROOF OF PURCHASE FOR FUTURE REFERENCE

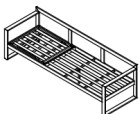





ATTENTION:

1. Please read these instructions carefully before assembly
2. Aluminium is soft metal and over tightening may strip thread or break the part
3. **DO NOT** use power tools
4. Please allow 30 minutes for assembly.
5. Although assembly only requires 1 person it is advised that a second person be present to help turn the table over and into position when fully assembled.

ASSEMBLY STEPS:

1. Turn the sofa (A) upside down on a soft clean surface
2. LOOSELY attach assembled middle leg section(B) to Sofa(A) with bolts (E) and big flat washers (F) spanner (H) DO NOT TIGHTEN THE BOLTS AT THIS STAGE
3. Tighten all bolts using the spanner (H) one by one being careful not to over tighten any as this will cause the thread to become damaged
4. Place Nut caps (G) on all visible bolts (E)
5. Turn Sofa over and place where required
6. Place seat cushion(C) and back cushions(D) on the sofa seat

For more information regarding maintenance of your furniture and to register your warranty, please visit www.hartmanuk.com

Component's 69015012					Fixings				
Parts List	Parts Picture	Description	QTY	Part no	Parts list	Parts Picture	Description	QTY	Part no.
A		Sofa	1	69015012A	C		M6*20 bolts	2	1017162
					D		Big Flat washers	2	1061162
B		Middle Leg	1	69015012B	E		Nut Cap	2	2002170
					F		Allen Key	1	2002191

For replacement or lost spare parts please go to <http://faq.hartmanuk.co.uk/spares/>

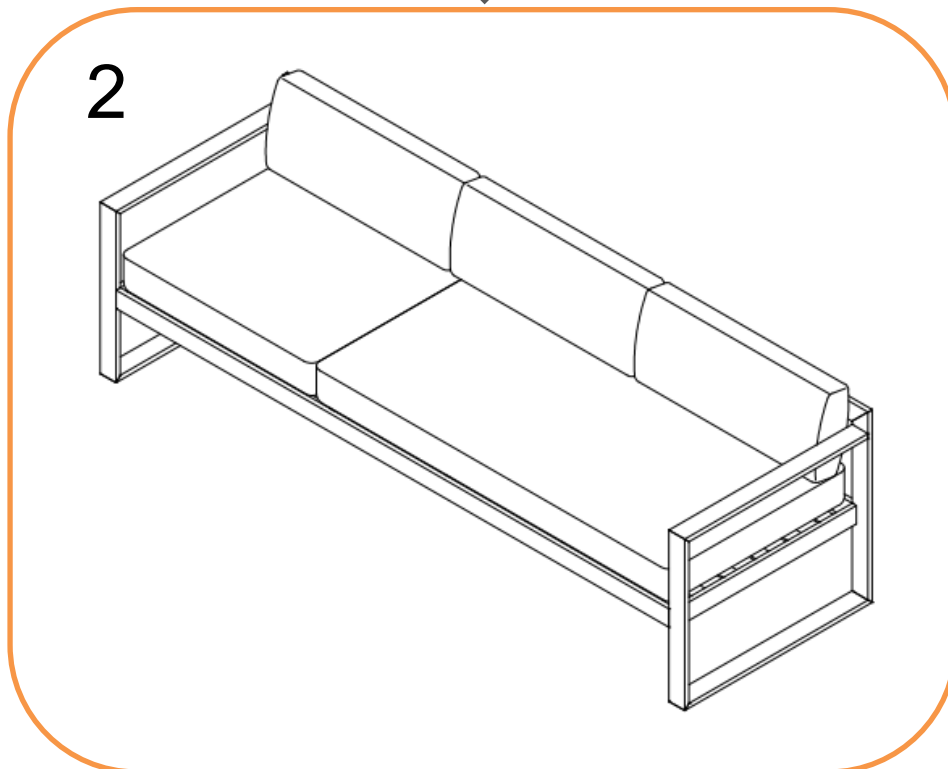
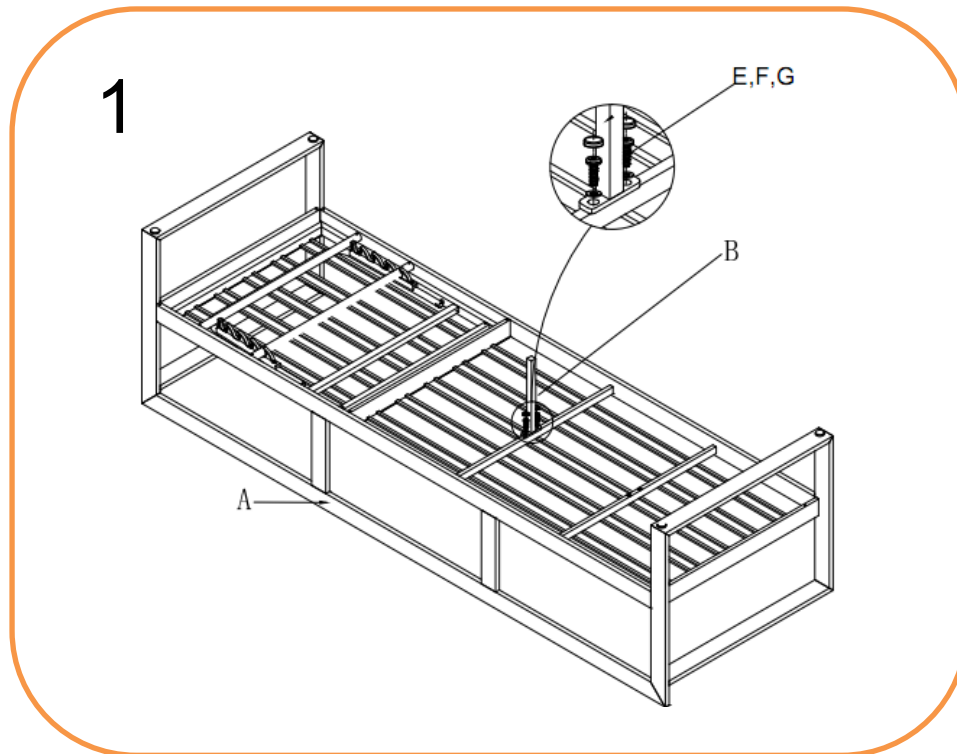
Should you have any queries about your furniture your first point of contact should be the retailer from whom you purchased your product

PLEASE KEEP ME WITH YOUR PROOF OF PURCHASE FOR FUTURE REFERENCE

ASSEMBLY INSTRUCTIONS

Vienna 3 Seat Lounge Set with Integrated Lounger

REF. 69015012



For replacement or lost spare parts please go to <http://faq.hartmanuk.co.uk/spares/>
Should you have any queries about your furniture your first point of contact should be the retailer from whom you purchased your product