

PLEASE KEEP ME WITH YOUR PROOF OF PURCHASE FOR FUTURE REFERENCE










ATTENTION:

1. Please read through these instructions fully before assembly and stock check all parts against the parts list below
2. Aluminium is a soft metal and over tightening this may strip the thread or break the part
3. DO NOT use power tools
4. Please allow 30 minutes for assembly
5. Although assembly only requires 1 person, it is advised that a second person be present to help turn the table over and into position when fully assembled

ASSEMBLY STEPS:

1. LOOSELY attach legs (B) to panels (C) with big bolts (E) and big flat washers (F) and small lock washer (G) using spanner (I)
2. Take glass off the table (D) (in case of breakage) turn the table top (A) upside down on a soft clean surface
3. LOOSELY attach the pre-assembled leg section to the table top with bolts (E) and big flat washers (F) and small lock washer (G) using spanner (I) **DO NOT TIGHTEN THE BOLTS AT THIS STAGE**
4. Using the spanner, gradually tighten the bolts in turn. Do not over tighten any bolts as this will cause the thread to become damaged
5. Place Nut Caps (H) on all visible bolts (E)
6. Turn your assembled table over and position where required
7. Carefully place glass top (D) onto the table and press down on suckers to ensure glass is secure
8. Don't forget your Warranty Registration with Hartmanuk.com

For more information regarding maintenance of your furniture and to register your warranty, please visit www.hartmanuk.com

Component's				Fixings					
Parts List	Parts Picture	Description	QTY	Part no	Parts list	Parts Picture	Description	QTY	Part no.
A		Table Top	1	Beech 68161147A Grey 68162146A	E		10mm*30 bolts	12	2002175
					F		Big Flat washers	12	1061162
B		Legs	2	Beech 68161147B Grey 68162146B	G		Small lock Washers	12	1221162
C		Panel	2	Beech 68161147C Grey 68162146C	H		Flat Nut Cap	12	2002170
D		Glass	1	Beech 68161147D Grey 68162146D	I		Spanner	1	1020162

For replacement or lost spare parts please go to <http://faq.hartmanuk.co.uk/spares/>
Should you have any queries about your furniture your first point of contact should be the retailer from whom you purchased your product

PLEASE KEEP ME WITH YOUR PROOF OF PURCHASE FOR FUTURE REFERENCE

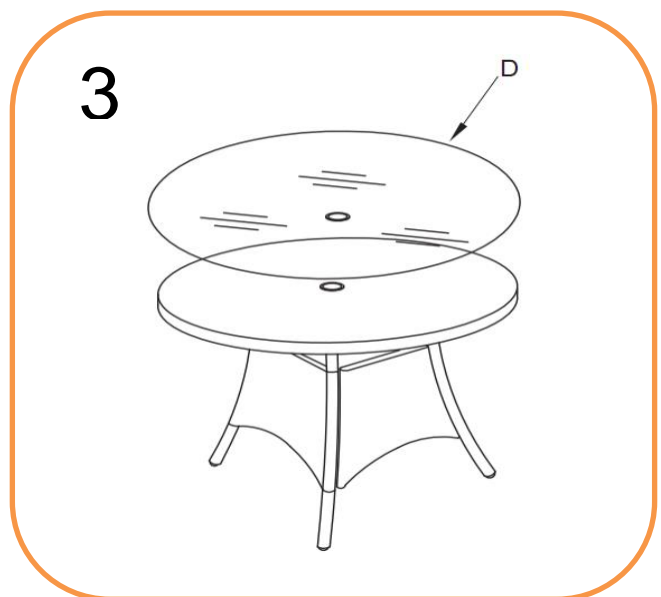
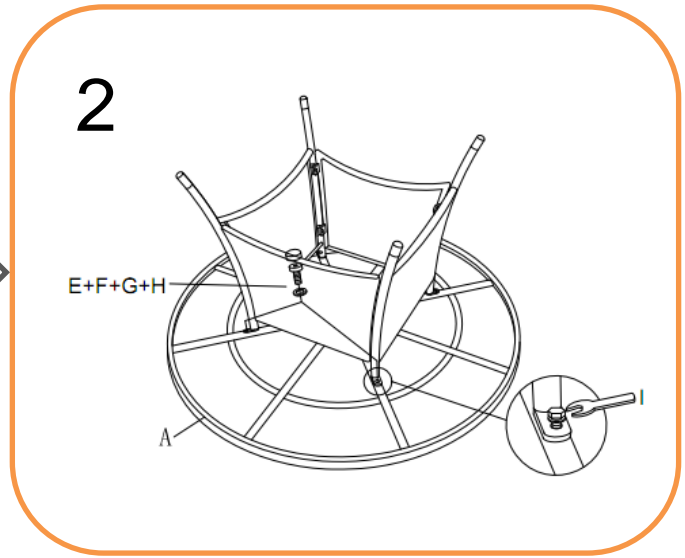
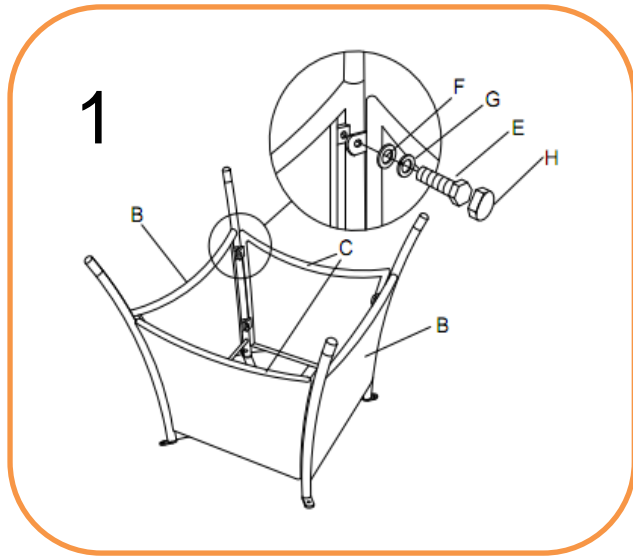


ASSEMBLY INSTRUCTIONS

Westbury 110CM ROUND TABLE

Beech ref.68161147

Grey ref.68162146



For replacement or lost spare parts please go to <http://faq.hartmanuk.co.uk/spares/>
Should you have any queries about your furniture your first point of contact should be the retailer from whom you purchased your product