

PLEASE KEEP ME WITH YOUR PROOF OF PURCHASE FOR FUTURE REFERENCE



ASSEMBLY INSTRUCTIONS

Westbury 85cm Square Table

(68167147 / 68180146)

ATTENTION:





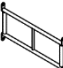



1. Please read these instructions carefully before assembly
2. Aluminium is a soft metal and over tightening may strip the thread or break the part
3. **DO NOT** use power tools
4. Please allow 30 minutes for assembly
5. Although assembly only requires 1 person it is advised that a second person be present to help turn the table over and into position when fully assembled

ASSEMBLY STEPS:

1. **LOOSELY** attach legs (B) to table top (A) with bolts (E) and big flat washers (F) using Allen key (H) **DO NOT TIGHTEN THE BOLTS AT THIS STAGE**
2. **LOOSELY** attach connecting bar (C) to assembled legs with bolts (E) and big flat washers (F) using Allen key (H) **DO NOT TIGHTEN THE BOLTS AT THIS STAGE**
3. Tighten all bolts using Allen key one by one being careful not to over tighten any as this will cause the thread to become damaged
4. Place Nut Caps (G) on all visible bolts (E)
5. Turn table top over and place in desired position, be careful to put glass (D) on table top

For more information regarding maintenance of your furniture please visit

<https://www.hartmanuk.com/home>

Component's				Fixings					
Parts List	Parts Picture	Description	Q'ty	Part no	Parts list	Parts Picture	Description	Q'ty	Part no.
A		Table Top	1	68167147A 68180146A	E		M6*25 bolt	8	1231162
B		Legs	2	68167147B 68180146B	F		Flat washer	8	1061162
C		Connecting bar	1	68167147C 68180146C	G		PVC cap	8	2100036 2100037
D		Glass	1	68167147D 68167147D	H		Allen key	1	2002191

For replacement or lost spare parts please go to <http://spares.hartmanuk.co.uk/purchase>

Should you have any queries about your furniture your first point of contact should be the retailer from whom you purchased your product

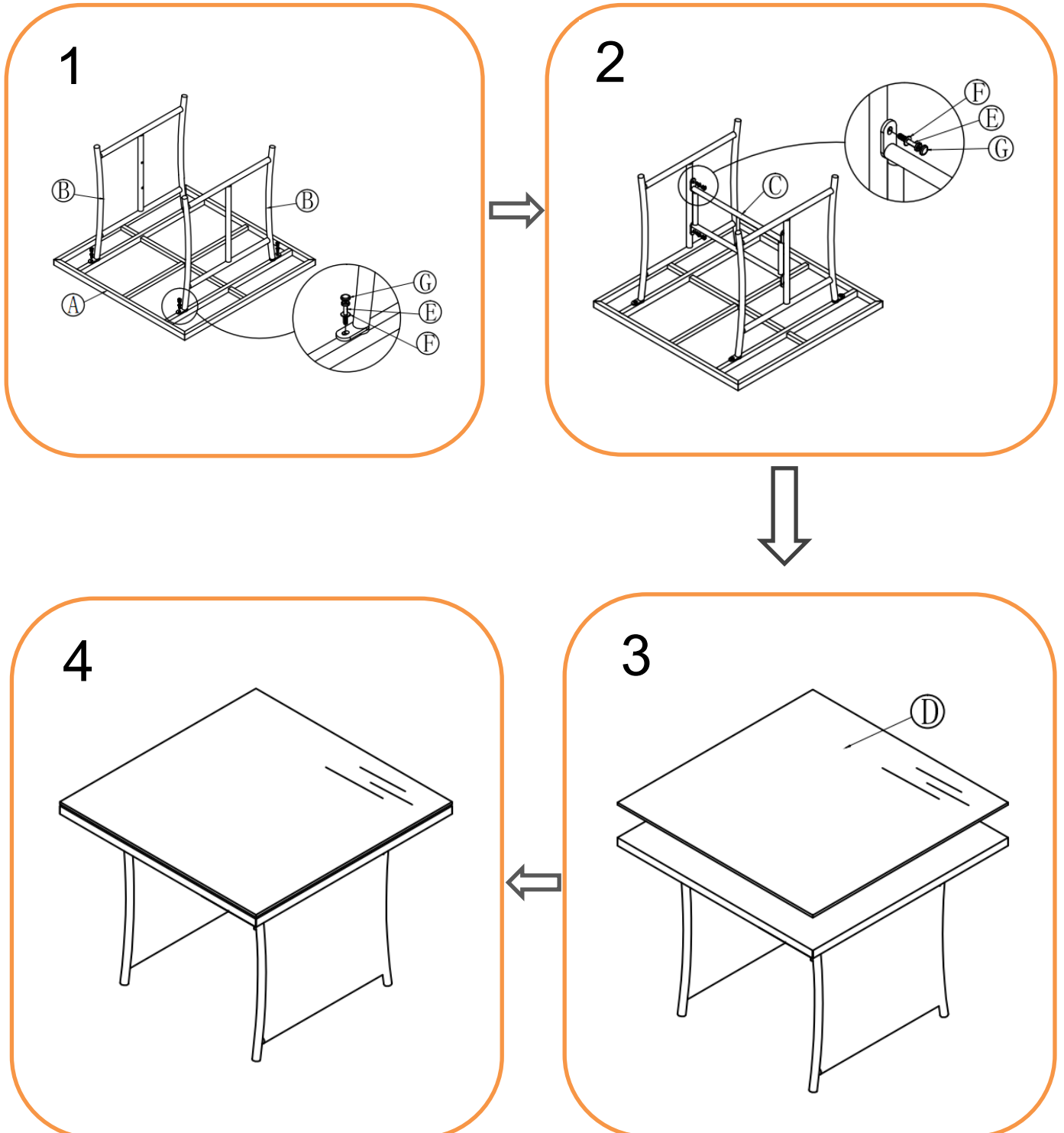
PLEASE KEEP ME WITH YOUR PROOF OF PURCHASE FOR FUTURE REFERENCE



ASSEMBLY INSTRUCTIONS

Westbury 85cm Square Table

(68167147 / 68180146)



For replacement or lost spare parts please go to <http://spares.hartmanuk.co.uk/purchase>

Should you have any queries about your furniture your first point of contact should be the retailer from whom you purchased your product

PLEASE KEEP ME WITH YOUR PROOF OF PURCHASE FOR FUTURE REFERENCE



ASSEMBLY INSTRUCTIONS

Westbury Square Casual Dining Corner (3 Seater + 2 Seater)

(68173147 / 68181146)

ATTENTION:




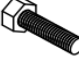



1. Please read these instructions carefully before assembly
2. Aluminium is soft metal and over tightening may strip thread or break the part
3. **DO NOT** use power tools
4. Please allow 30 minutes for assembly
5. Although assembly only requires 1 person it is advised that a second person be present to help turn the sofa over and into position when fully assembled

ASSEMBLY STEPS:

1. Position part (A) and part (B) ready for assembly
2. **LOOSELY** attach backrest (A) to seating section (B) using 5 bolts (F) and 5 flat washers (C) with spanner (G) **DO NOT TIGHTEN BOLTS AT THIS STAGE.**
3. **LOOSELY** attach front and rear leg to seating section (B) using 2 bolts (D) and 2 flat washers (C) with spanner (G) **DO NOT TIGHTEN BOLTS AT THIS STAGE.**
4. **BOLTS AT THIS STAGE.**
5. Tighten all bolts using the spanner (G) cover all bolts using nut cap (E)
6. Turn it over and place in desired position

For more information regarding maintenance of your furniture please visit

http://www.hartmanuk.co.uk/after_care_videos.html

Component's				Fixings					
Parts List	Parts Picture	Description	Q'ty	Part no	Parts list	Parts Picture	Description	Q'ty	Part no.
A		Backrest with LH arm	1	68173147A 68181146A	C		Big Flat Washers	7	1061162
B		Seating Section	1	68173147B 68181146B	D		M6*50 bolts	2	2002162
					E		PVC cap	7	2100036 2100037
					F		M6*45 bolts	5	2002167
					G		Spanner	1	2100041

For replacement or lost spare parts please go to <http://faq.hartmanuk.co.uk/spares/>

Should you have any queries about your furniture your first point of contact should be the retailer from whom you purchased your product

PLEASE KEEP ME WITH YOUR PROOF OF PURCHASE FOR FUTURE REFERENCE

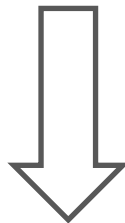
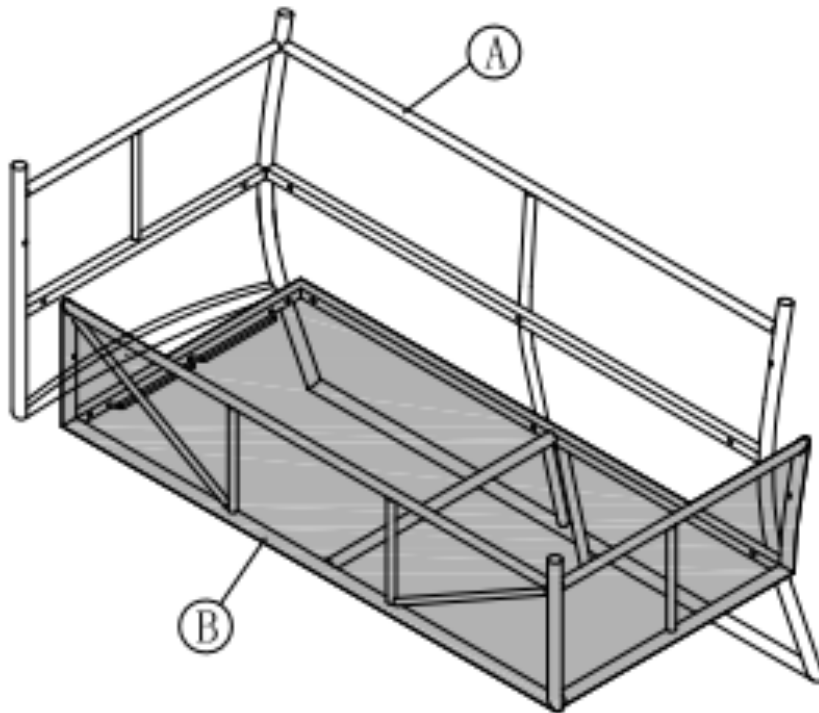


ASSEMBLY INSTRUCTIONS

Westbury Square Casual Dining Corner (3 Seater + 2 Seater)

(68173147 / 68181146)

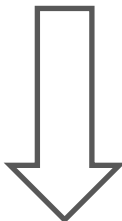
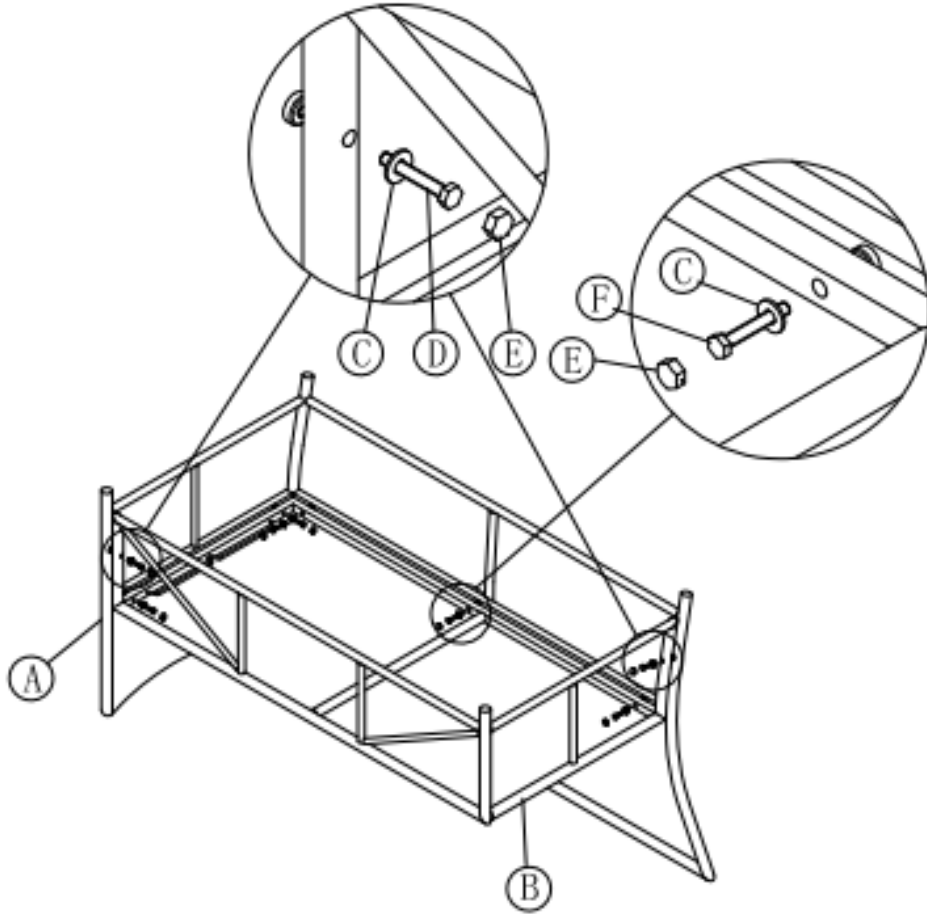
1



For replacement or lost spare parts please go to <http://faq.hartmanuk.co.uk/spares/>
Should you have any queries about your furniture your first point of contact should be the retailer from whom you purchased your product

PLEASE KEEP ME WITH YOUR PROOF OF PURCHASE FOR FUTURE REFERENCE

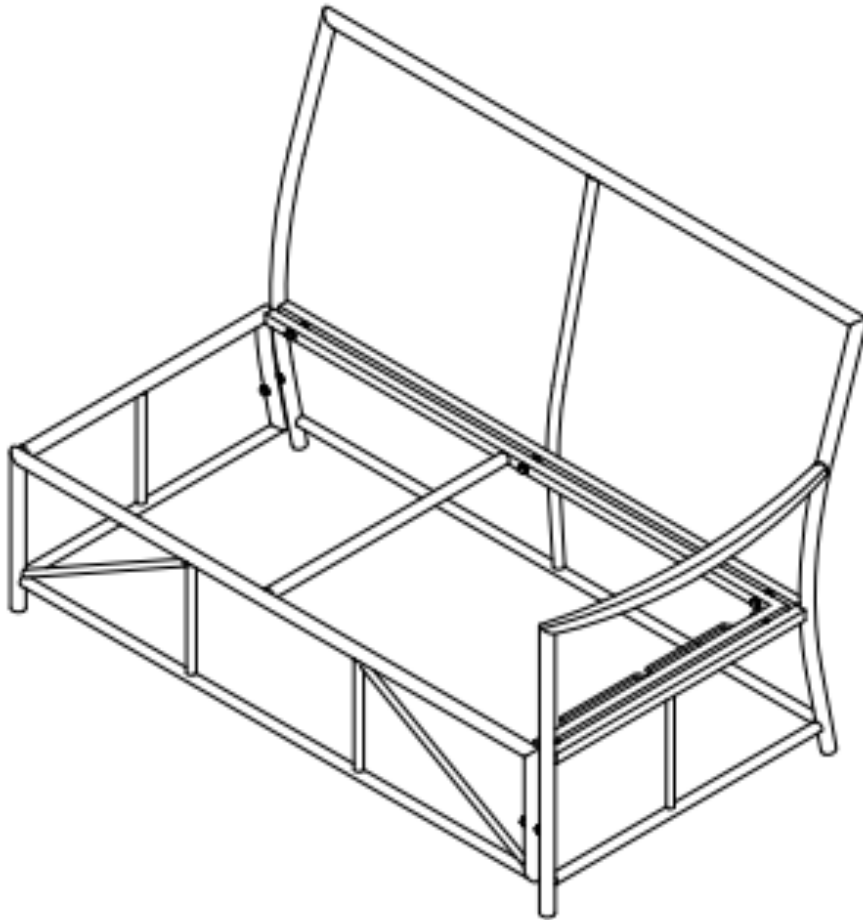
2



For replacement or lost spare parts please go to <http://faq.hartmanuk.co.uk/spares/>
Should you have any queries about your furniture your first point of contact should be the retailer from whom you purchased your product

PLEASE KEEP ME WITH YOUR PROOF OF PURCHASE FOR FUTURE REFERENCE

3



For replacement or lost spare parts please go to <http://faq.hartmanuk.co.uk/spares/>
Should you have any queries about your furniture your first point of contact should be the retailer from whom you purchased your product

PLEASE KEEP ME WITH YOUR PROOF OF PURCHASE FOR FUTURE REFERENCE

ATTENTION:

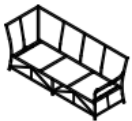


1. Please read these instructions carefully before assembly
2. Aluminium is soft metal and over tightening may strip thread or break the part
3. **DO NOT** use power tools
4. Please allow 30 minutes for assembly
5. Although assembly only requires 1 person it is advised that a second person be present to help turn the sofa over and into position when fully assembled

ASSEMBLY STEPS:

1. Position part (A1) and part (B1) ready for assembly
2. With With 2 brackets (C1) position over the section that adjoin parts (A1) and (B1).
3. Turn sofas over and place in desired position.
4. Put all cushions on the sofa

For more information regarding maintenance of your furniture please visit

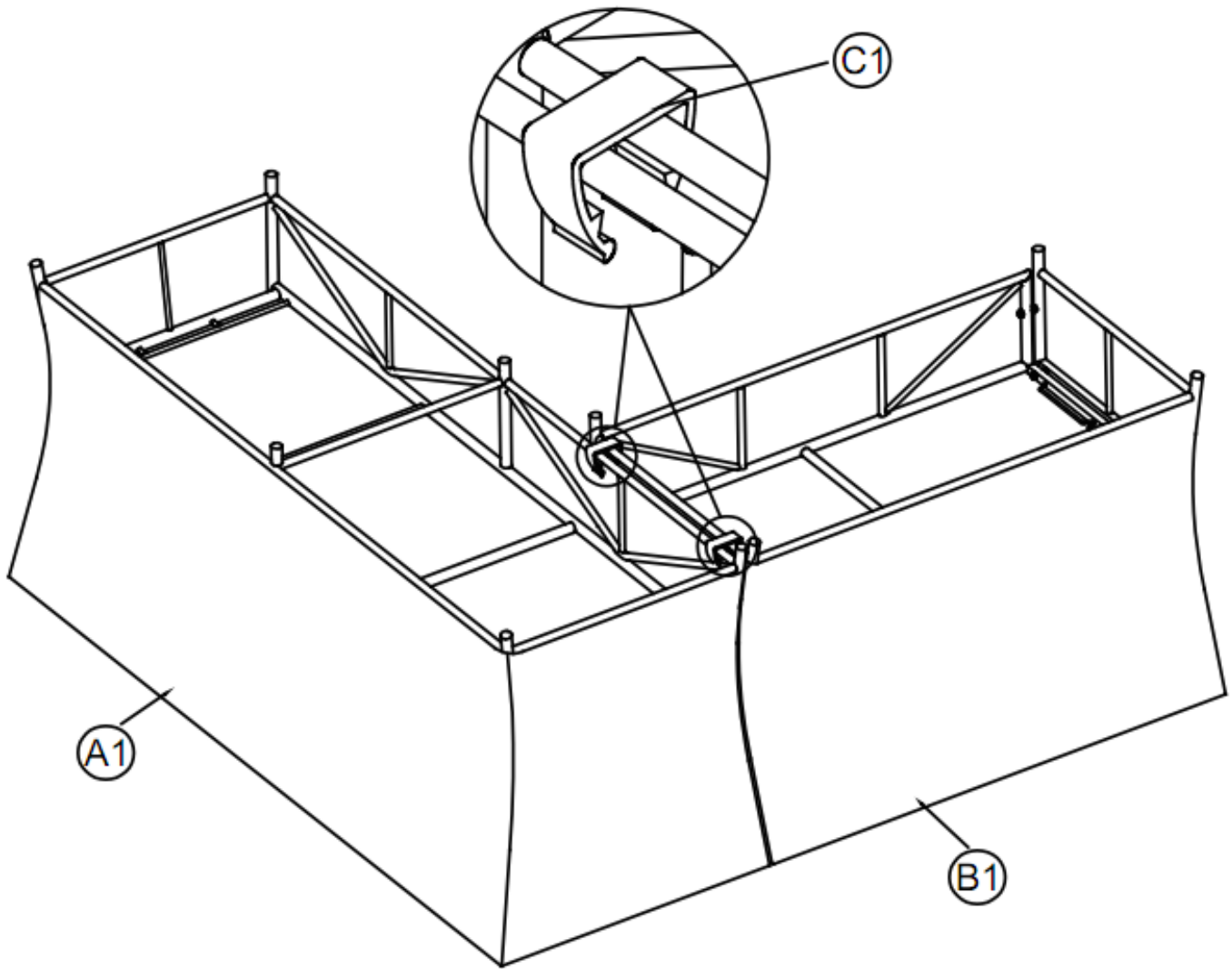
<https://www.hartmanuk.com/home>

Component's					Fixings				
Parts List	Parts Picture	Description	Q'ty	Part no	Parts list	Parts Picture	Description	Q'ty	Part no.
A1		RH Sofa	1	68173147A1 68181146A1	C1		Bracket	2	2002188
B1		LH Sofa	1	68173147B1 68181146B1					

For replacement or lost spare parts please go to <http://faq.hartmanuk.co.uk/spares/>

Should you have any queries about your furniture your first point of contact should be the retailer from whom you purchased your product

PLEASE KEEP ME WITH YOUR PROOF OF PURCHASE FOR FUTURE REFERENCE



For replacement or lost spare parts please go to <http://faq.hartmanuk.co.uk/spares/>
Should you have any queries about your furniture your first point of contact should be the retailer from whom you purchased your product