

PLEASE KEEP ME WITH YOUR PROOF OF PURCHASE FOR FUTURE REFERENCE



Westbury Hanging Chair

(68186147 / 68174146)

ATTENTION:





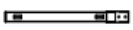













1. Please read these instructions carefully before assembly
2. Aluminium is soft metal and over tightening may strip thread or break the part
3. **DO NOT** use power tools
4. Please allow 30 minutes for assembly
5. Although assembly only requires 1 person it is advised that a 2nd person be present to help place into position when fully assembled

ASSEMBLY STEPS:

1. Attach leg (A) to leg (C) with bolts (BB) and flat washers (DD) using spanner (II).
2. Attach leg (B) to leg (C) with bolts (BB) and flat washers (DD) same as above.
3. Attach leg (B) to leg (A) with bolts (JJ), locknut (GG) and flat washers (HH) using spanner (II).
4. Attach pole (D) to the base with bolts (FF) & flat washers (DD) using spanner (II).
5. Attach hanging pole (E) to pole (D) with bolts (AA), locknut (CC) and flat washers (DD) using spanner II.
6. Insert metal plug (I) into the hole at the top of the pole. Place the assembled frame on a flat surface.
7. Attach basket (F) to (G) with bolts (EE), locknut (GG) and flat washers (HH) using spanner (II).
8. Hanging the assembled basket to the pole with stainless steel chain (H), adjust the length of the chain to the height you desired.

For more information regarding maintenance of your furniture please visit


http://www.hartmanuk.co.uk/after_care_videos.html

Component's				Fixings					
Parts List	Parts Picture	Description	Q'ty	Part no	Parts list	Parts Picture	Description	Q'ty	Part no.
A		Leg frame	1	68186147A 68174146A	AA		M8*65 bolt	1	2100055
B		Leg frame	1	68186147B 68174146B	BB		M8*35 bolts	4	2100056
C		Leg tube	2	68186147C 68174146C	CC		M8 locknuts	1	2002178
D		Pole	1	68186147D 68174146D	DD		M8 Big Flat washers	12	1061162
E		Hanging pole	1	68186147E 68174146E	EE		M6*55 bolts	4	2002166
F		Basket bottom	1	68186147F 68174146F	FF		M8*20 bolts	6	2100045
G		Basket top	1	68186147G 68174146H	GG		M6 locknuts	8	1121162
H		Stainless steel chain	1	68186147H	HH		M6 small flat washers	16	1241162
I		Metal plug	1	68186148I	II		Spanner	2	2100049

For replacement or lost spare parts please go to <http://faq.hartmanuk.co.uk/spares/>

Should you have any queries about your furniture your first point of contact should be the retailer from whom you purchased your product

PLEASE KEEP ME WITH YOUR PROOF OF PURCHASE FOR FUTURE REFERENCE

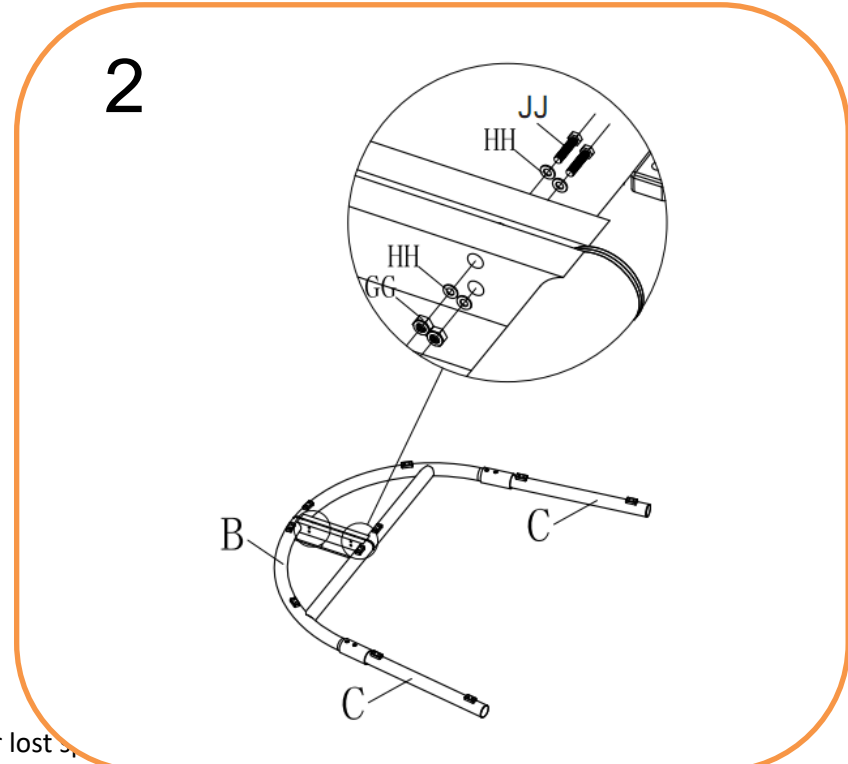
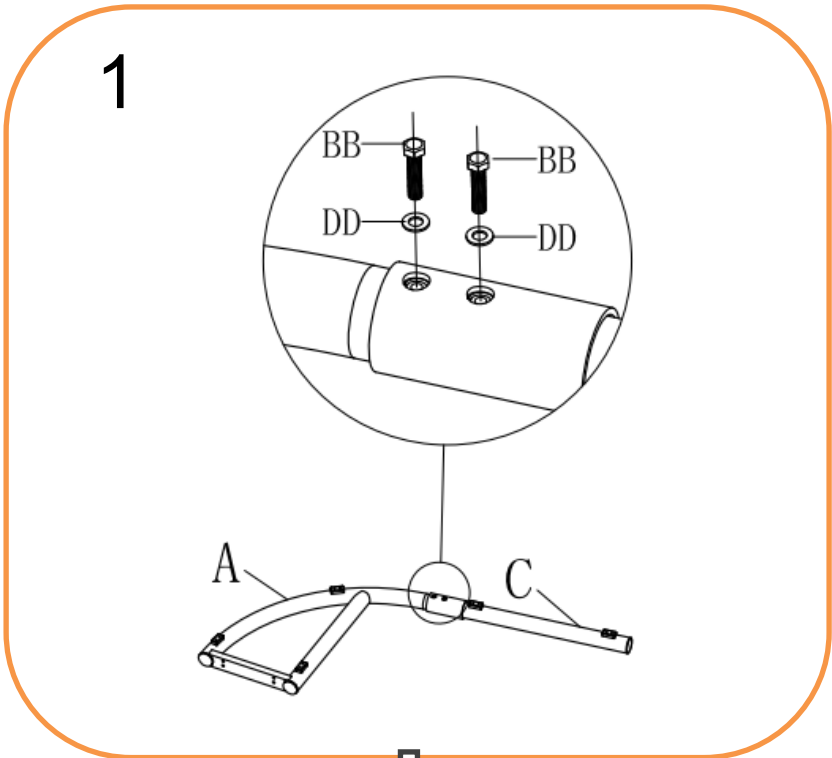
					JJ		M6*70 bolts	4	
--	--	--	--	--	----	--	-------------	---	--



ASSEMBLY INSTRUCTIONS

Westbury Hanging Chair

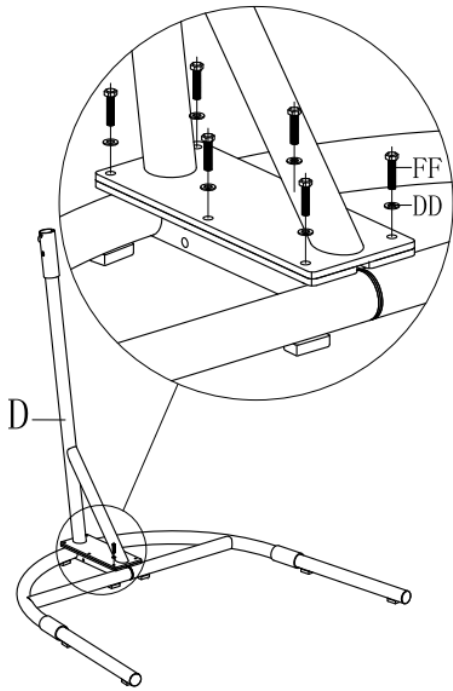
(68186147 / 68174146)



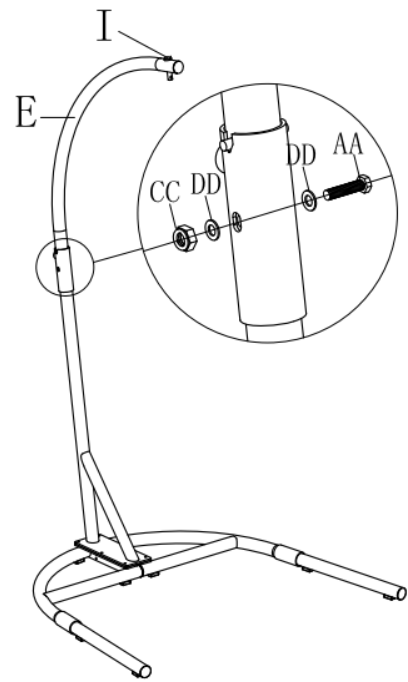
For replacement or lost parts, please contact your retailer.
Should you have any queries about your furniture your first point of contact should be the retailer from whom you purchased your product

PLEASE KEEP ME WITH YOUR PROOF OF PURCHASE FOR FUTURE REFERENCE

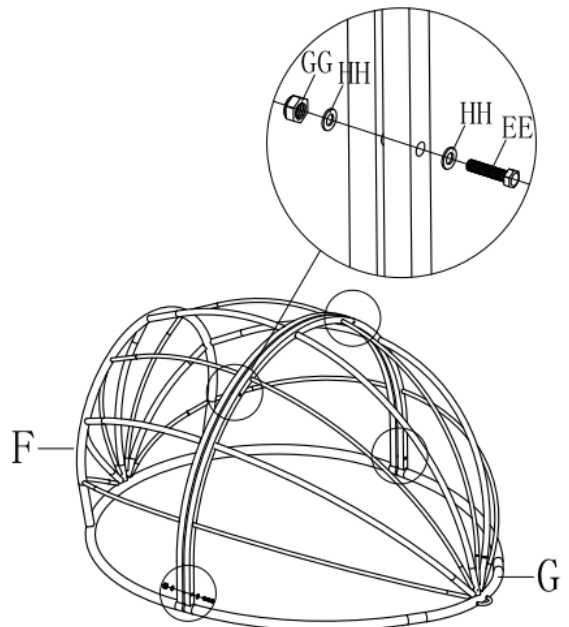
3



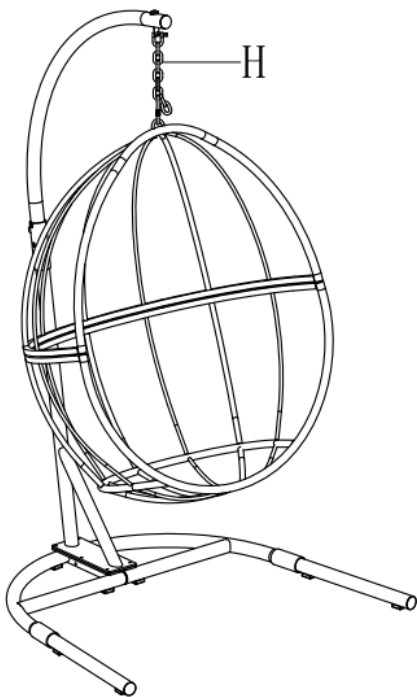
4



5



6



For replacement or lost spare parts please go to <http://faq.hartmanuk.co.uk/spares/>
Should you have any queries about your furniture your first point of contact should be the retailer from whom you purchased your product