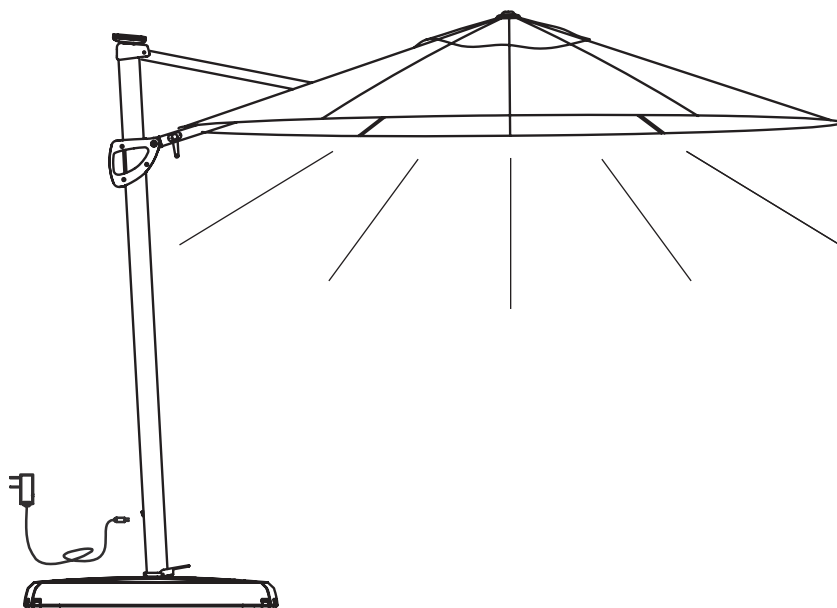


KETTLER

3.3 m LED Free Arm Parasol

PL33



IMPORTANT

PLEASE KEEP THIS BOOKLET FOR FUTURE REFERENCE.
THIS IS IMPORTANT INFORMATION REGARDING THE
USE AND CARE OF YOUR GARDEN FURNITURE.

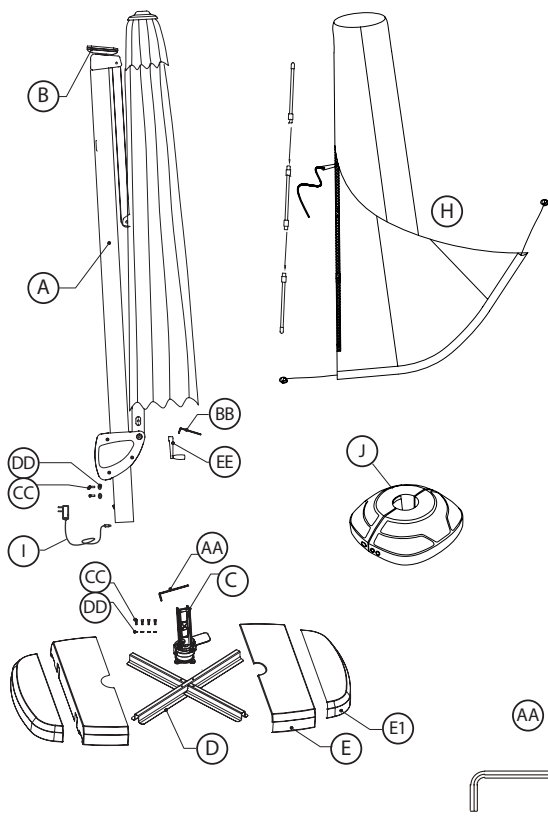


ASSEMBLY
TIME



PERSONS
REQUIRED

Parts List



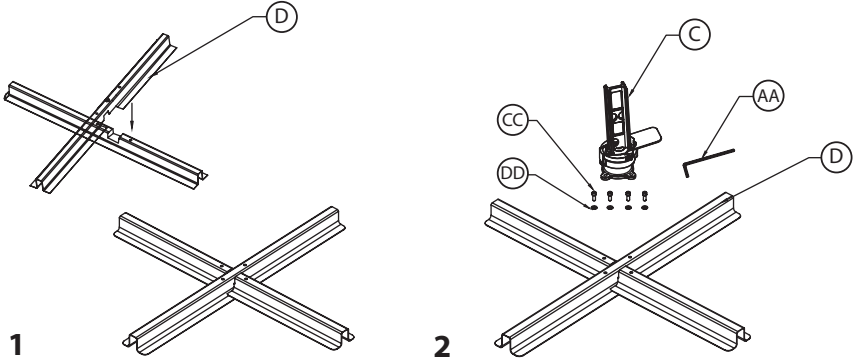
Part	Description	Qty
A	Parasol	1
AA	Large Allen Key	1
B	Solar Panel	1
BB	Small Allen Key	1
C	Rotating Hub	1
CC	Bolt	6
D	Metal Stand	2
DD	Washer	6
E	Plastic Base Interior	2
E1	Plastic Base Exterior	2
EE	Crank Handle	1
FF	Base Plug	4
G	Pole Cap	1
H	Protective Cover with 3 part supporting rod	1
I	Plug/Adapter/Cord	1
J	Wireless Speaker	1

Helpful advice before you begin:

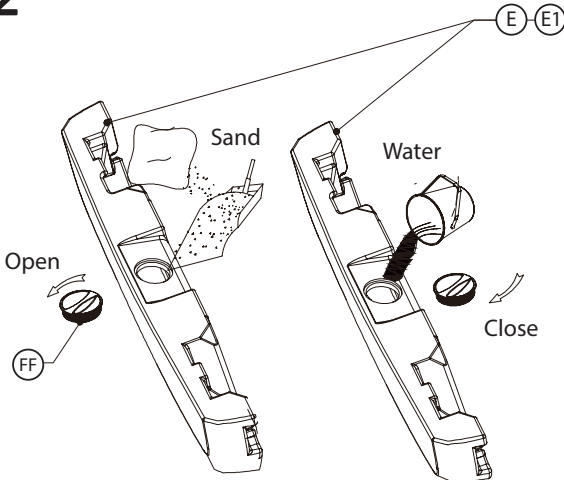
1. We suggest you spend a short time reading through this leaflet and then follow the simple step by step instructions.
2. Do not discard any of the packaging until you have checked that you have all the parts and the pack of fittings.
3. Assemble this product on a soft surface.
4. To ensure an easier assembly, we strongly advise that all fittings are only finger tightened during initial assembly. Only upon completion of the assembly should all fixing points be fully tightened.
5. Keep fittings out of children's reach.
6. Do not use any other tools other than those recommended to build this product.
7. Please do not use substitute parts. Use only additional or replacement parts supplied by Kettler.
8. In the unlikely event that this product has missing or damaged parts, please visit our website www.kettler.co.uk

Assembly

1



2



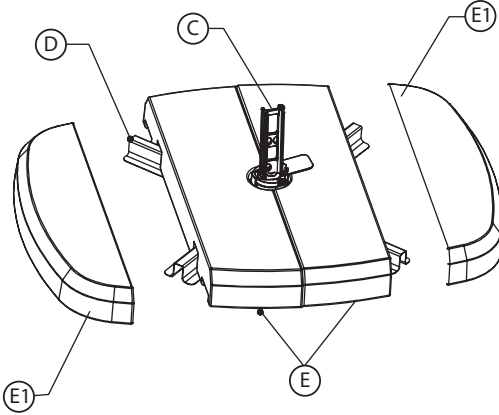
!

Each section of the base requires 20kg of sand and then needs to be topped up with water. Water alone will not support the base.

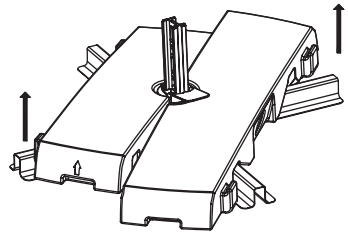
Tip: use kiln dried sand for easier filling.

Assembly

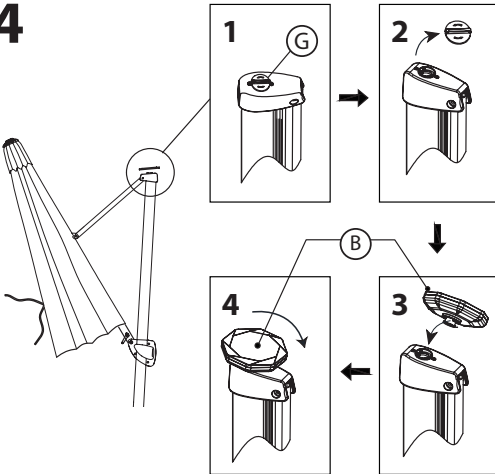
3



!
You may need to re-position the pedal at this stage to fit the base sections together.



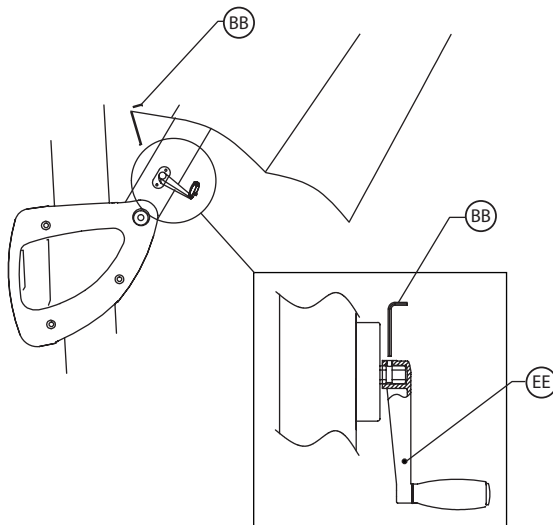
4



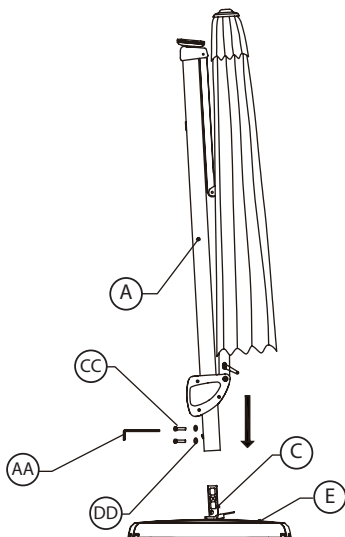
The solar panel clicks in and twists. The solar panel will require 8 hours of sunlight to become fully charged. To charge from flat the solar lights will be required to be switched off. When the solar panel is not in regular use, remove and replace with the cap.

Assembly

5

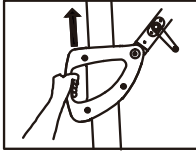


6

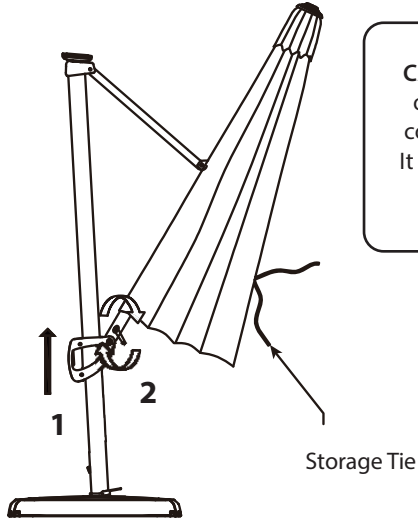


Operating Instructions

1

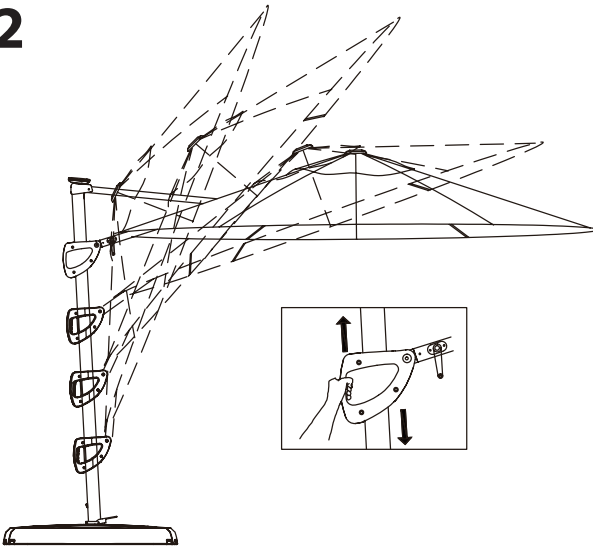


Crank clockwise
to open, ↻
counter-clockwise
to close. ↻



CAUTION: DO NOT
open the parasol
counter-clockwise.
It will not stay open
and may close
unexpectedly.

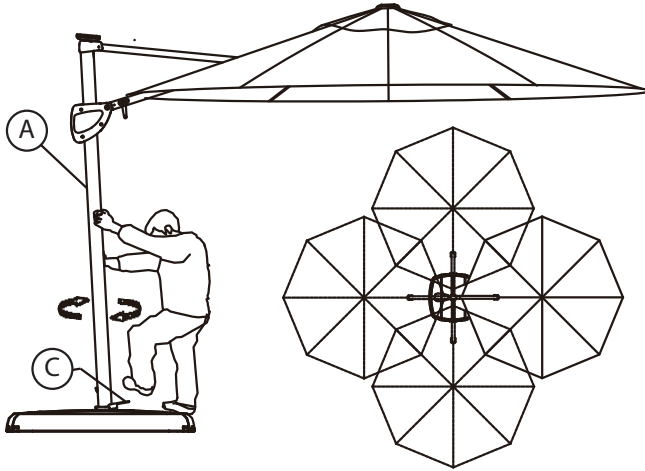
2



CAUTION: When
cranking the parasol
open, if you feel
resistance and
the canopy is not
opening, do not
force the crank
handle. Gently
spread the ribs by
hand and shake the
fabric, then continue
to crank open.

Operating Instructions

3



4

To operate LED lights, press the rocker switch located on the **Umbrella (A)** pole on or off.

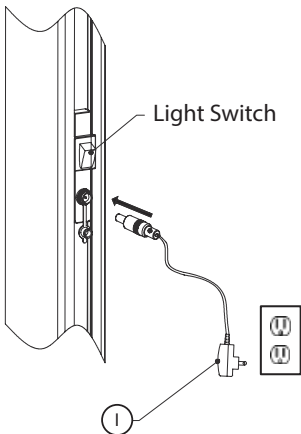
Note:

a) The **Solar Panel (B)** contains two lithium batteries (2 x 2200mAh). Press the switch to the off position during daylight to allow the solar panel to charge the batteries. Charging time is dependent on the amount of sunlight, however, 8 hours is recommended.

b) The batteries can also be charged using the **AC Adapter (I)** by plugging it into the **Umbrella (A)** pole as shown. Charging time is approximately 5-6 hours.

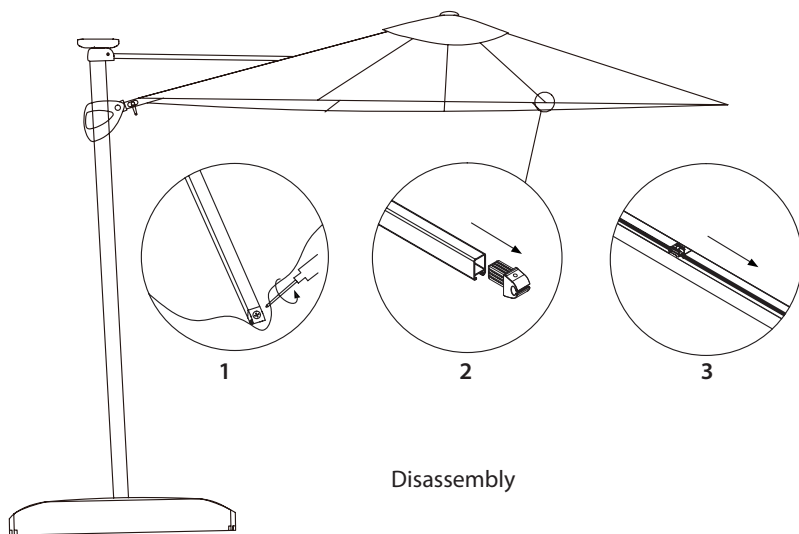
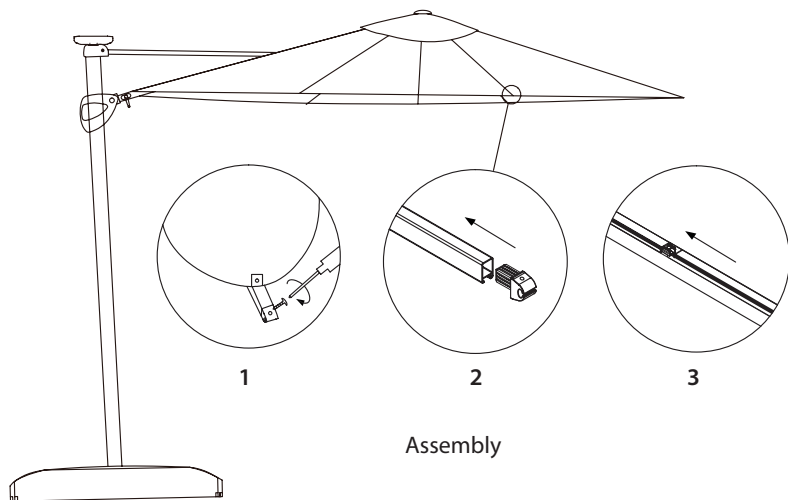
c) If the batteries are dead, the lights will operate with the **AC Adapter (I)** plugged in. The red light on the AC Adapter (I) indicates power is present and the battery is charging.

d) Keep the umbrella unplugged and the **AC Adapter (I)** stored in a dry location when not in use.



Operating Instructions

5 Changing an LED light strip.



Operating Instructions

6



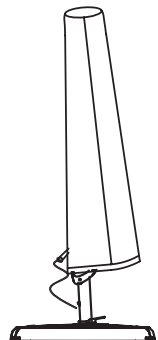
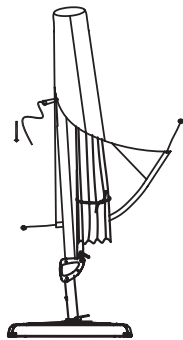
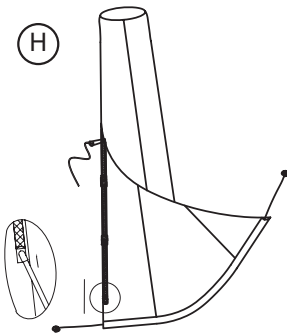
The parasol should be closed and the night cover fitted in windy conditions and when not in use. Failure to do this may result in damage to the parasol.



Protective cover assembly:

Fiberglass supporting rod

(H)



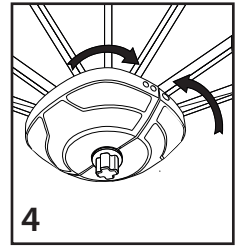
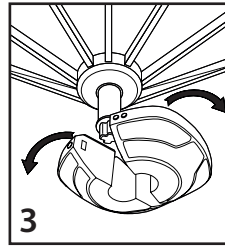
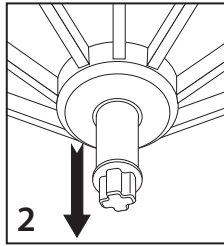
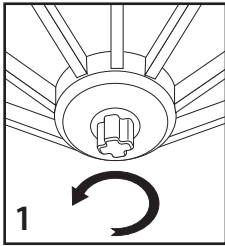
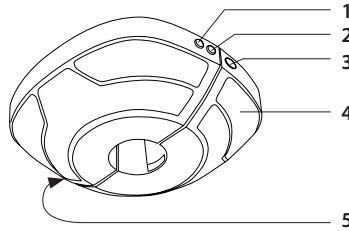
1. Assemble the 3 part fiberglass rods in sequence and insert into the slit in fabric at bottom of zip.

2. Place cover over the parasol and frame and zip down.

Parasol Wireless Speaker with LED Lights

Functions

1. Bluetooth Button
2. LED Light Power Button
3. Unlock Button
4. LED Light
5. Charging Port



Charging:

- Charge for 2-4 hours for the 1st charge.
- Plug the adapter in the charging port and plug into the power supply (100-240V).
- When charging the red light will light up and go off when fully charged.
- Always charge in a dry environment.

User guide:

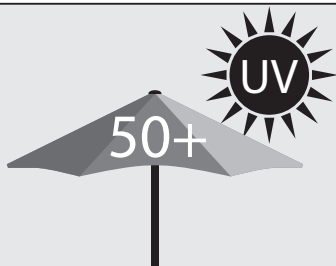
- To turn on, hold down the power button for 3 seconds.
- Turn on your device's Bluetooth function and search for "Kettler".
- The run time is approx. 6-10 hours.
- To turn the light on/off press the "LED" button.

Warning:

- Bluetooth connectivity will turn off when not used for 15 minutes.
- The sound quality will be reduced when the battery is low.
- Use wirelessly for upto 8 - 10 metre range. Any more than this will affect the sound quality.
- Only one device can be connected at any one time.
- Do not allow the speaker unit to get wet.
- Store in a dry place when not in use.



Information



This parasol has UV50+ protection. What does that mean?

For example, a fabric with a UPF rating of 50 only allows 1/50th of the sun's UV radiation to pass through it. This means that this fabric will reduce your skin's UV radiation exposure by 50 times (98% UV block).

Hand wash canopy

The canopy can be carefully removed and washed via hand only. We advise putting back onto the frame to dry naturally.

For Your Safety

- This product may only be used for its intended purpose as furniture for residential properties.
- Check all components regularly for correct function, damage and loose connections especially at the start of the season and at 1-2 month intervals dependent on use.
- Damaged components may endanger your safety or shorten the life of the product. Replace all damaged parts immediately. Use only spare parts manufactured by Kettler. Should you wish to purchase spare parts, they can be ordered directly from: www.kettler.co.uk/shop
- Kettler will not be responsible for damaged caused by improper use.



Attention

- Whilst assembling this product keep out of the reach of children. (Choking hazard – contains small parts)
- Ensure that your working area is free of possible sources of danger, for example don't leave any tools lying around.
- Always dispose of packaging material in such a way that it may not cause any danger. There is always a risk of suffocation if children play with plastic bags!
- We reserve the right to make changes for technical reasons.

KETTLER



www.kettler.co.uk



The symbol indicates that the product should not be discarded as unsorted waste but must be sent to separate collection facilities for recovery and recycling.



Warranty For Home Use

KETTLER parasols are covered by a
12 MONTH WARRANTY.

The warranty applies to domestic use only.
The warranty does not cover accidental
damage (including wind damage) or mis-use.

To validate your warranty, register at
www.kettler.co.uk and quote the product
code from the front of this booklet.