

KALOS

ADDING WARMTH TO OUTDOOR LIVING

Plush Electric Heater Pendant

KLEH103-0100



IMPORTANT

PLEASE KEEP THIS BOOKLET FOR FUTURE REFERENCE.
THIS IS IMPORTANT INFORMATION REGARDING THE USE AND
CARE OF YOUR OUTDOOR HEATER.

Important Information

- ⚠️ Unpack the outdoor heater making sure that all of the items are present and that there are no components left in the box and the heater head is free from any packaging material. Extra packaging is added to some models for transportation protection which must be removed before assembly.
- ⚠️ Using the detailed drawing following the steps to assemble the outdoor heater (where relevant).
- ⚠️ **DO NOT** connect the outdoor heater to the electrical supply until the assembly is complete.
- ⚠️ **DO NOT** connect the outdoor heater to the electrical supply if any of the components or power cord is damaged in any way.
- ⚠️ **CAUTION** - Risk of Electric Shock. **DO NOT** open or try to repair the heater yourself.

Important advice before you begin:

This appliance is not intended for use by persons (including children) with reduced physical, sensory or mental capabilities or lack of experience and knowledge if they have been given supervision or instruction concerning use of the appliance in a safe way and understand the hazards involved.

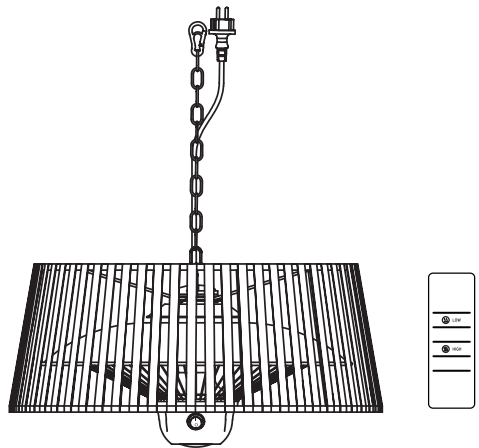
Children should not play with the appliance.

Cleaning and user maintenance should not be made by children without supervision.

Do not use any other tools other than those recommended to build this product.

Please do not use substitute parts. Use only additional or replacement parts supplied by Kettler.

In the unlikely event that this product has missing or damaged parts, please visit our website www.kettler.co.uk/shop.



For Your Safety

Warning

- This heater is not equipped with a device to control the room temperature. **DO NOT** use this heater in small rooms when they are occupied by persons not capable of leaving the room on their own, unless constant supervision is provided.
- Children of less than 3 years should be kept away unless continuously supervised.
- Children under 8 years shall not plug in, regulate and clean the appliance or perform user maintenance.



Caution

- Some parts of this product can become very hot and cause burns. Particular attention must be given where children, vulnerable people and animals are present.
- **For floor mounted heaters only** use the heater on a firm solid horizontal area where all the feet on the base are in contact with the floor. (Should the heater be tilted or fall over the auto cut off switch will activate).
- Risk of Electric Shock. **DO NOT** open or try to repair the heater yourself.
- Any maintenance or repairs including replacing the tube(s) should only be carried out by a qualified electrician or by a qualified service centre.

1. Site the heater outside or in a large open area and well away from any obstructions such as branches or where the heater is near any objects that can be affected by heat, such as furniture, curtains or other inflammable objects (minimum distance 1 metre).
2. **DO NOT** use this heater in the immediate surroundings of a bath, a shower or a swimming pool. Do not use near water.
3. **DO NOT** use in unventilated areas.
4. **DO NOT** use where gas, petrol, paint or other surely flammable goods are stored.
5. **DO NOT** push any items through, obstruct or cover the grill of the heater head.
6. **DO NOT** position immediately above or below an electrical socket.
7. **DO NOT** move when connected to an electrical supply and always wait for the patio heater to cool down before cleaning / storing away.
8. **DO NOT** touch the heater head when in use.
9. **DO NOT** leave turned on and unattended especially when children and or animals are in the vicinity.
10. The indication of the different positions of switches shall be visible from a distance of 1M.

For Your Safety

11. The marking concerning covering should be visible after the heater has been installed. It shall not be placed on the back of portable heaters.
 12. The unit must be placed with the clearance of 25cm to the wall and 50cm to the ceiling. Make sure the head is at least 1.8m from the floor.
 13. The unit must be correctly installed according to the instructions.
 14. The unit is at high temperature during operation. It keeps hot for a period after shut down. Potential danger would occur when touching it during this period. Unplug the unit and wait till it cools before cleaning.
 15. **DO NOT** place the unit close to curtain and/or other flammable objects. Otherwise there will be a danger of catching fire.
 16. **DO NOT** cover the unit with anything during operation or a short time after it is shut down.
 17. **DO NOT** wrap the power supply cord on the unit.
 18. The unit must be handled with care, and avoid vibration or hitting.
 19. An apparatus with CLASS I construction shall be connected to a MAINS socket outlet with a protective earthing connection.
 20. **DO NOT** use if the unit or power cable is damaged.
 21. **DO NOT** attempt to repair or adjust any electrical or mechanical functions on this unit. Doing so will void your warranty.
- The inside of the unit contains no user serviceable parts. Servicing / Repair should only be performed by a qualified electrician or qualified service centre.
22. **DO NOT** use this unit in place where causticity or volatile air exists, i.e. dust, steam, gas, etc.
 23. **DO NOT** use this unit as a cloth drier or towel drier.
 24. **DO NOT** use this unit as a sauna heater.
 25. **DO NOT** use this unit as a room heater.
 26. **DO NOT** use this unit in place of animal propagating and raising.
 27. **DO NOT** immerse this unit into water for cleaning.
 28. The unit should be plugged in a socket, which is easily visible and reachable.
 29. **DO NOT** use this heater with a programmer, timer or any other device that switches the heater on automatically, since a fire risk exists if the heater is covered or positioned incorrectly.
 30. Children should be supervised to ensure that they do not play with the appliance.
 31. When assembling, keep clear from any board or flammable material.
 32. **DO NOT** insert or allow foreign objects to enter any ventilation or exhaust opening as this may cause an electric shock or fire, or damage the heater.
 33. Use only for intended household use as described in this manual. Any other use not recommended by the manufacturer

For Your Safety & Parts List

may cause fire, electric shock, or injury to persons. The use of attachments not recommended or sold by unauthorized dealers may cause hazards.

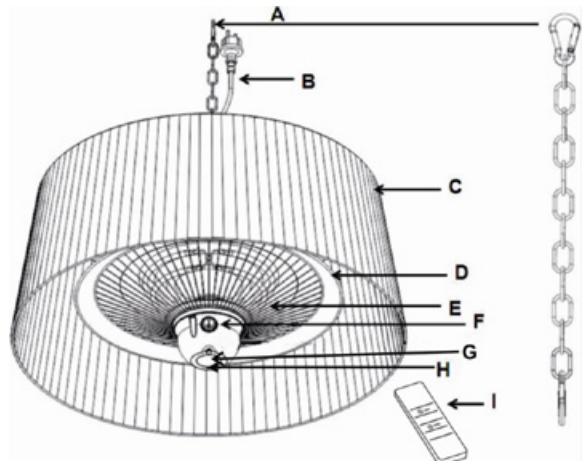
- 34. The unit is for household use only. It is not safe to use on a building site, greenhouse, barn or stable where there's flammable dust.
- 35. Avoid the use of an extension cord because the extension cord may overheat and cause a risk of fire. However, if you must use an extension cord, the cord shall be rated to 13A (Minimum conductor size 1.5mm²) and if the cord is on a reel it must be fully unwound before use.
- 36. Disconnect the power cable from the electrical supply when the heater is not in use. If the power cord becomes

damaged, it must be replaced by a qualified electrician.

- 37. This appliance is not intended for use by a person (including children) with reduced physical, sensory or mental capabilities, or lack of experience and knowledge, unless they have been given supervision or instruction concerning use of the appliance by a person responsible for their safety.
- 38. One dark point may exist on the surface of the heating elements during the first few minutes after it is turned on. This is normal, and will not affect the performance of the unit.
- 39. To avoid fire or shock hazard, plug the unit directly into a 220-240 Vac and 13A electrical socket outlet.

Parts List

Part	Description
A	Chain with Hook
B	Power Cable
C	Decorative Shade
D	Heater Head
E	Heating Lamp
F	On/Off Switch
G	LED
H	Touch Switch



Assembly

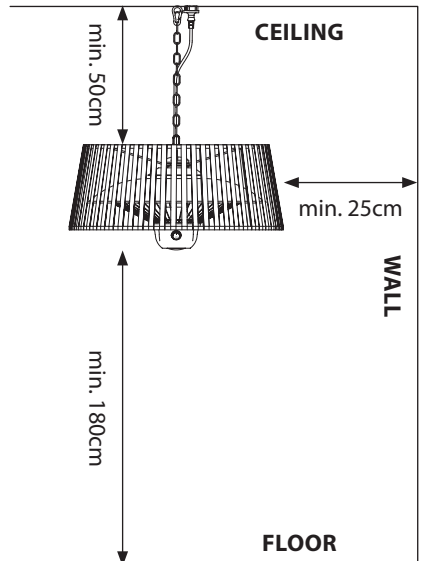


WARNING: Please tear off all of the protective film around the shade first.

- A.** Place the heater on a firm, level ceiling surface; installation of the heater on a strong rigid support (such as strong wooden beams or metal rails etc).
- B.** The Hook on the ceiling hanging the Patio Heater must be able to take a weight 3 or 4 times that of the Patio Heater itself.
- C.** Place the Hook **A** around the Ceiling Hook and clip on any Ring of the Chain to adjust the height of the Patio Heater to the Floor.
- D.** The distance between the bottom of the Patio Heater to the Floor must be over 1.8m.
- E.** Plug the Patio Heater into a grounded 220-240V 50Hz 13A power outlet.
- F.** Only operate the heater when it is in the upright position.

Minimum Required Distances:

- 25cm from the side wall
- 50cm from the ceiling
- Installation height above 180cm



Operation Instructions

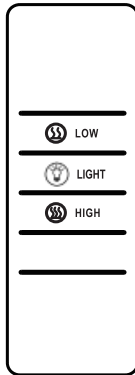


WARNING: The heater must be properly installed before it is used. This unit is equipped with one heat setting On I Off.



Remote control

- A. Press the On/Off switch to activate the heater
- B. To operate the heater on low power (800W), press the low button on the remote control
- C. To operate the heater on medium (1000W), just press the HIGH button on the remote control
- D. Press both HIGH and LOW buttons on the remote control for maximum power (1800W)
- E. To operate the LED light, press the LIGHT button on the remote control



Operation of Touch Switch

- Press the On/Off switch to activate the heater
- Touch the touch switch once to operate the heater on 800W power.
- Touch the touch switch twice to operate the heater on 1800W power.
- Touch the touch switch three times to activate the LED light without heat.
- Touch the touch switch four times to operate the LED light and to operate the heater on 1800W power.
- Touch the touch switch five times to shut off the light and heat.

Trouble Shooting

If the heater will not operate, please check the following before seeking repair of service:

- Check if the power cord is plugged into an electrical outlet, if not plug in.
- Check if electricity to the main fuse is working.
- Make certain the power switches are turned on. If not, choose a setting.

Technical specification

- Ratings: 220-240V 50Hz
- Power consumption: 1800W
- Insulation: class 1

Maintenance and Care Instructions

- Unplug the unit and let it cool completely.
- To keep the heater clean, the outer shell may be cleaned with a soft, damp cloth. You may use a mild detergent if necessary. After cleaning, dry the unit with a soft cloth.
- **DO NOT** use alcohol, gasoline, abrasive powders, furniture polish, or rough brushes to clean the heater. This may cause damage or deterioration to the surface of the heater.
- Although this heater is outdoor approved, **DO NOT** immerse the heater into water for cleaning for your safety.
- Wait until the unit is completely dry and cools off before use.
- Check all components regularly for correct function, damage and loose connections especially at the start of the season and at 1-2 month intervals dependent on use.
- Damaged components may endanger your safety or shorten the life of the product. Replace all damaged parts immediately. Use only spare parts manufactured by Kettler. Should you wish to purchase spare parts, they can be ordered directly from: www.kettler.co.uk/shop
- Kettler will not be responsible for damaged caused by improper use.

Storage

- If the heater will not be used for a long period of time, store it in a cool, dry location when not in use. To prevent dust and dirt build-up, use the original packaging to repack the unit.

KETTLER



www.kettler.co.uk



The symbol indicates that the product should not be discarded as unsorted waste but must be sent to separate collection facilities for recovery and recycling.



Warranty For Home Use

This product is covered by a 12 month warranty against manufacturing faults. This warranty applies to domestic use only. It does not cover commercial use, mis-use or accidental damage.

To validate your warranty, register at www.kettler.co.uk and quote the product code from the front of this booklet.