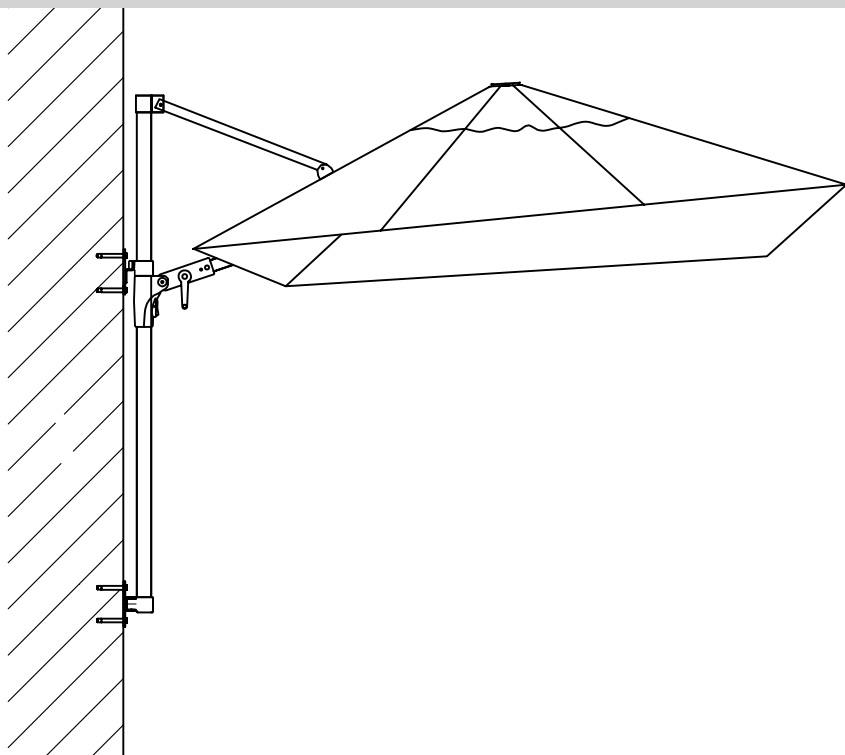


# KETTLER

## Wall Mounted Parasol

PF25



### IMPORTANT

PLEASE KEEP THIS BOOKLET FOR FUTURE REFERENCE.  
THIS IS IMPORTANT INFORMATION REGARDING THE  
USE AND CARE OF YOUR GARDEN FURNITURE.


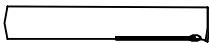


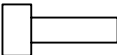
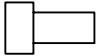

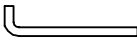
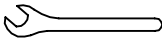



ASSEMBLY  
TIME



PERSONS  
REQUIRED

# Parts List

| Part | Description                                   |   | Qty |
|------|---|---|-----|
| A    | Frame   |  | 1   |
| B    | Protective Cover - with 3 part supporting rod |  | 1   |
| C    | Wall Bracket 1                                |  | 1   |
| D    | Wall Bracket 2                                |  | 1   |
| E    | Bolt M6x55                                    |  | 1   |
| F    | Bolt M6x35                                    |  | 1   |
| G    | Nut   |  | 2   |
| H    | Allen Key                                     |  | 1   |
| I    | Spanner                                       |  | 1   |
| J    | Card Drilling Template                        |  | 1   |



Wall fixings are not included. Please visit your local DIY centre/hardware store to purchase appropriate fixings for the type of wall you wish to attach the parasol to.

## Helpful advice before you begin:

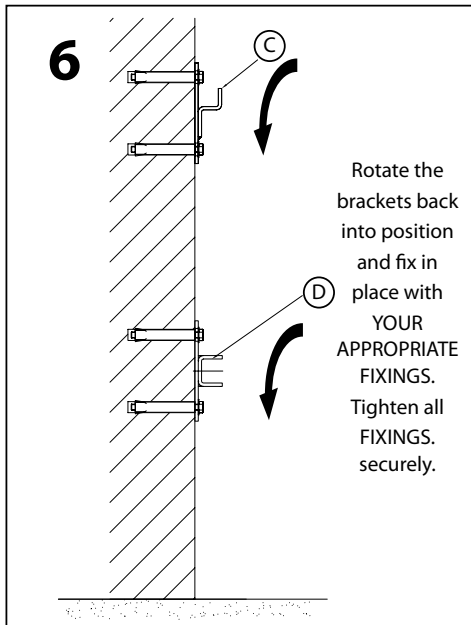
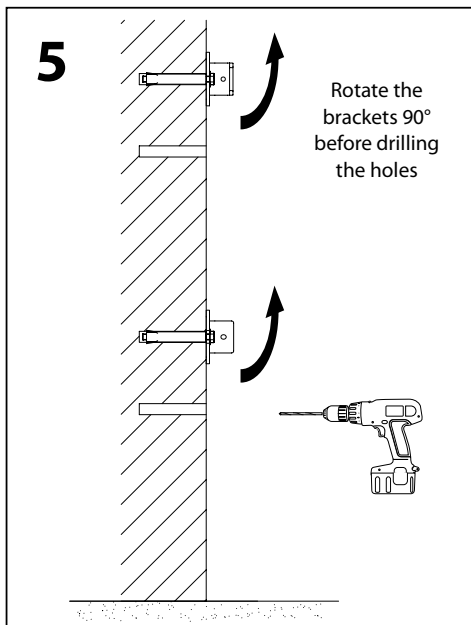
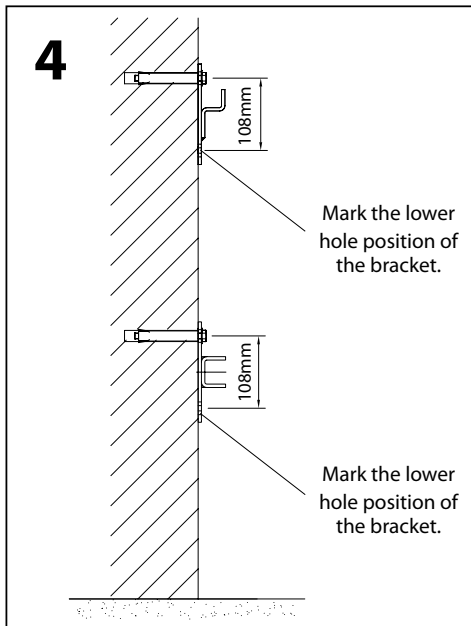
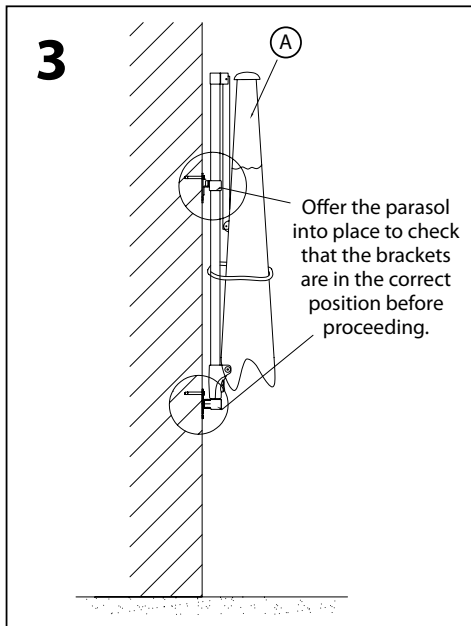
1. We suggest you spend a short time reading through this leaflet and then follow the simple step by step instructions.
2. Do not discard any of the packaging until you have checked that you have all the parts and the pack of fittings.
3. Assemble this product on a soft surface.
4. To ensure an easier assembly, we strongly advise that all fittings are only finger tightened during initial assembly. Only upon completion of the assembly should all fixing points be fully tightened.
5. Keep fittings out of children's reach.
6. Do not use any other tools other than those recommended to build this product.
7. In the unlikely event that this product has missing or damaged parts, please visit our website [www.kettler.co.uk](http://www.kettler.co.uk)



Do not discard any of the packaging until you have checked that you have all the parts and the pack of fixings.

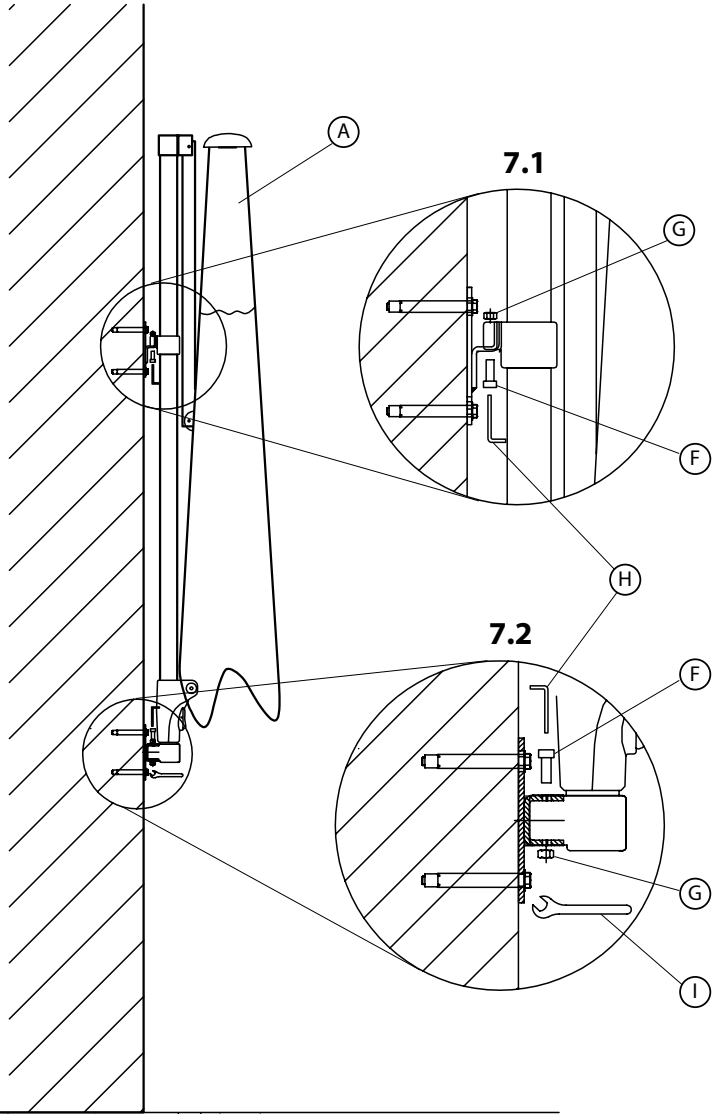


# Assembly - Wall Fixing



# Assembly

**7**

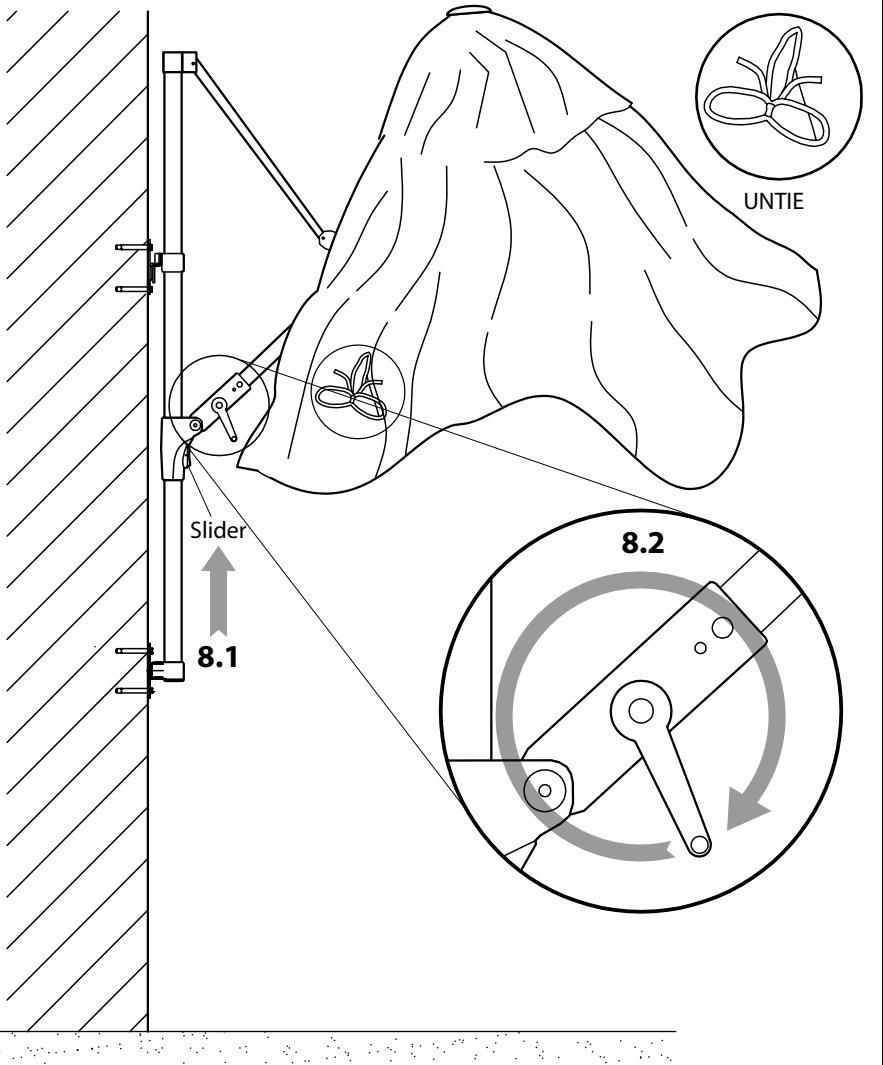


© 2010 Bosch Power Tools. All rights reserved. Bosch Power Tools is a registered trademark of Robert Bosch GmbH. Bosch is a registered trademark of Robert Bosch GmbH. Bosch Power Tools is a registered trademark of Robert Bosch GmbH. Bosch is a registered trademark of Robert Bosch GmbH.

# Assembly

## 8 TO OPEN

Push the button to slide the parasol up to the middle position. Turn the crank clockwise to open it completely and then slide the parasol up to the desired position.



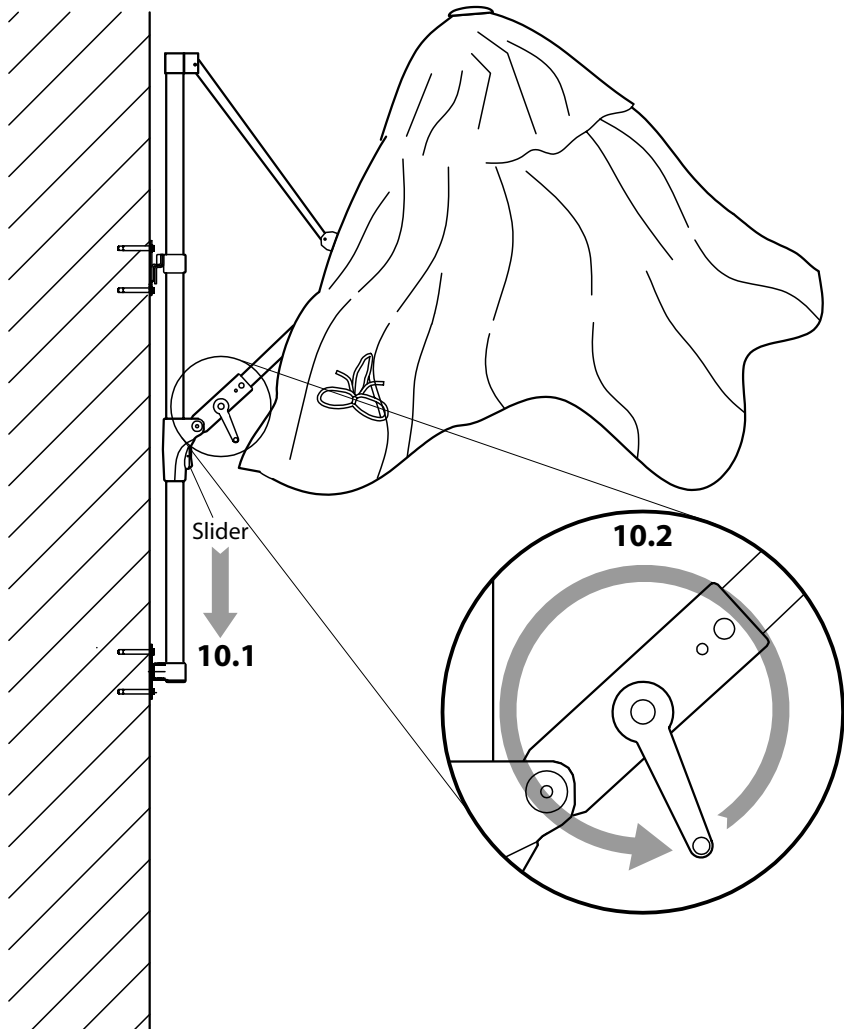


# Operating Instructions

## 10 TO CLOSE

Push the button to slide the parasol into the middle position.

Turn the crank anti-clockwise to close the canopy.

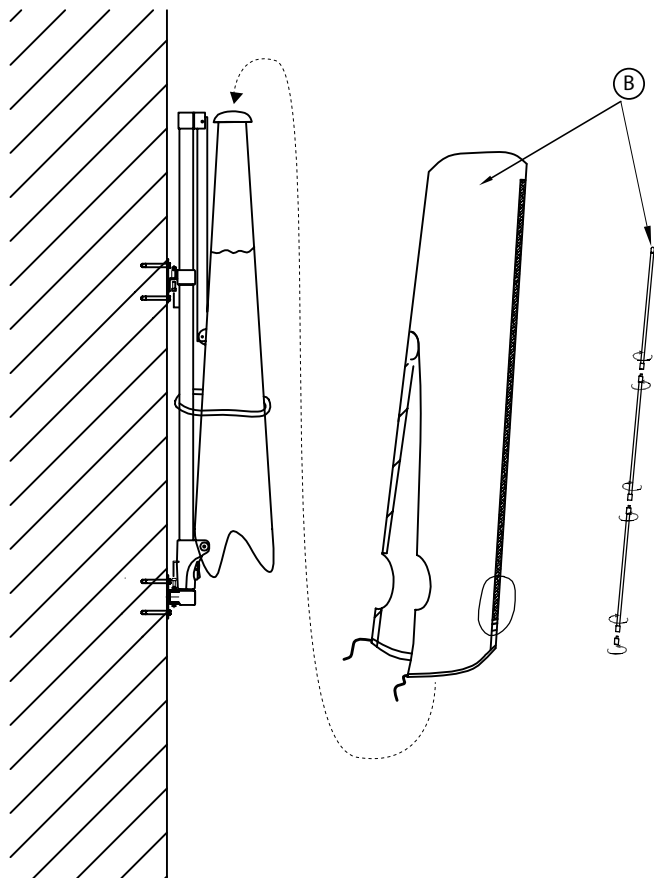


© 2010 Sunbrella Inc. All rights reserved. Sunbrella is a registered trademark of Sunbrella Inc. in the United States and other countries. Sunbrella is a registered trademark of Sunbrella Inc. in the United States and other countries. Sunbrella is a registered trademark of Sunbrella Inc. in the United States and other countries.

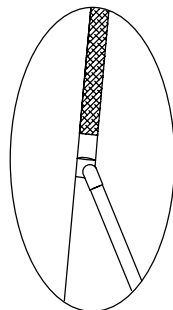


# Operating Instructions

11

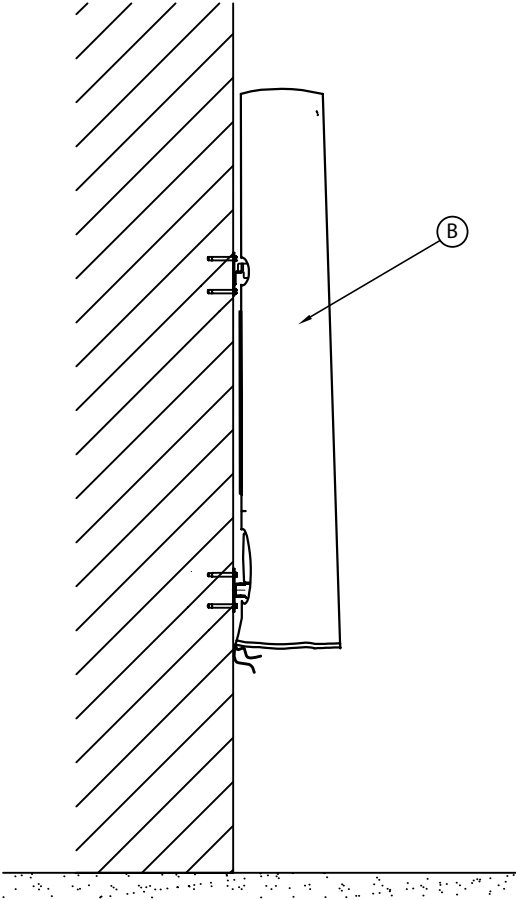


Supporting rod fits into slit in fabric at the bottom of the zip to help place the cover on the parasol and frame.

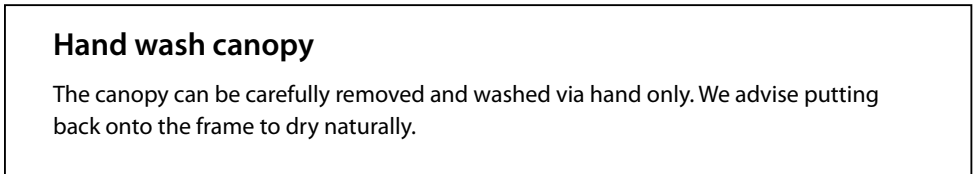
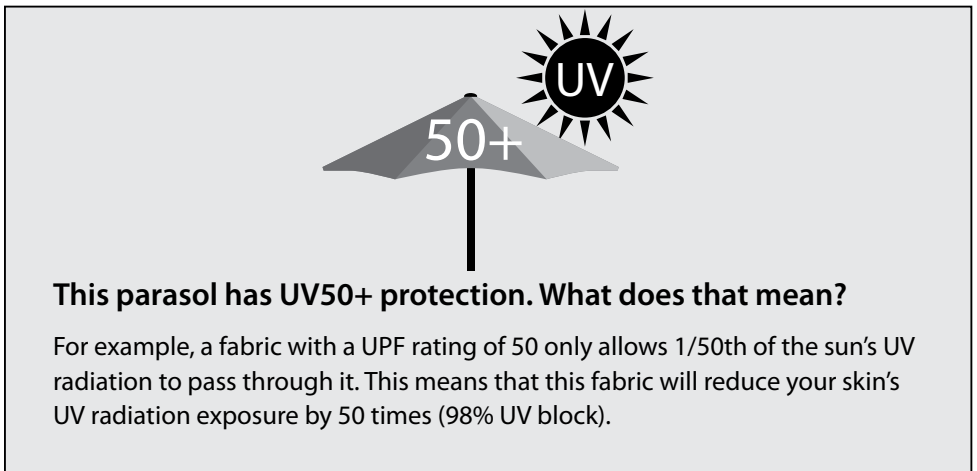
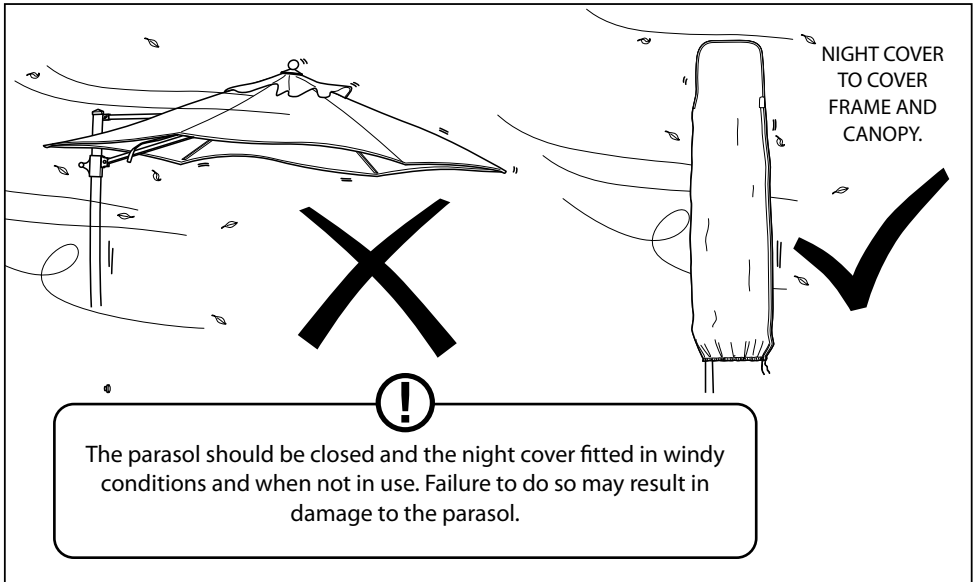


# Operating Instructions

12



# Information



# For Your Safety

- This product may only be used for its intended purpose as furniture for residential properties.
- Check all components regularly for correct function, damage and loose connections especially at the start of the season and at 1-2 month intervals dependent on use.
- Damaged components may endanger your safety or shorten the life of the product. Replace all damaged parts immediately. Use only spare parts manufactured by Kettler. Should you wish to purchase spare parts, they can be ordered directly from: [www.kettler.co.uk/shop](http://www.kettler.co.uk/shop)
- Kettler will not be responsible for damaged caused by improper use.



## Attention

- Whilst assembling this product keep out of the reach of children. (Choking hazard – contains small parts)
- Ensure that your working area is free of possible sources of danger, for example don't leave any tools lying around.
- Always dispose of packaging material in such a way that it may not cause any danger. There is always a risk of suffocation if children play with plastic bags!
- We reserve the right to make changes for technical reasons.

**KETTLER**

[www.kettler.co.uk](http://www.kettler.co.uk)



## Warranty For Home Use

KETTLER parasols are covered by a  
12 MONTH WARRANTY.

The warranty applies to domestic use only.

The warranty does not cover accidental damage (including wind damage) or mis-use.

To validate your warranty, register at [www.kettler.co.uk](http://www.kettler.co.uk) and quote the product code from the front of this booklet.