



Assembly Instructions

Eden 6 Seat Dining Set

(Product Codes: 64166082, 64166092, 64111082 64111092)

**PLEASE RETAIN THIS DOCUMENT ALONG WITH YOUR
PROOF OF PURCHASE FOR FUTURE REFERENCE**

Congratulations on your recent purchase of your beautiful Hartman furniture. We hope it brings you countless special moments with friends and family for many years to come.

Please follow these simple steps to build your furniture. We also have a very useful video available online to assist with the assembly, please visit www.hartmanuk.com

TOP TIPS

- Please read these instructions carefully before assembly, for further assistance please view our assembly video online for an easy step by step demonstration.
- Aluminium is a soft metal and over tightening may strip the thread or break the part, please loosely assembly your furniture before tightening to secure.
- Please **do not** use power tools, only use the tools provided in the bolt pack.
- Please allow 1 hour for assembly.
- This furniture can be assembled with **1** person; however, you may need someone to assist you when turning the furniture over into position.



Assembly Instructions

Eden/Etna/Allerdale Dining Chair

(Product Codes: 64111082/64111092/64111040/64101082)

**PLEASE RETAIN THIS DOCUMENT ALONG WITH
YOUR PROOF OF PURCHASE FOR FUTURE REFERENCE**







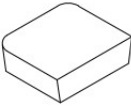
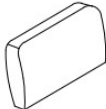
Congratulations on your recent purchase of your beautiful Hartman furniture. We hope it brings you countless special moments with friends and family for many years to come.

Please follow these simple steps to build your furniture. We also have a very useful video available online to assist with the assembly, please visit www.hartmanuk.com

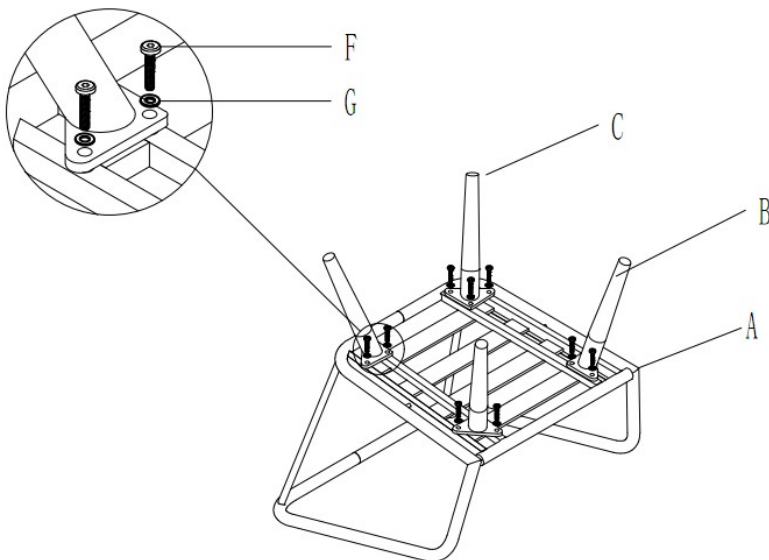
TOP TIPS

- Please read these instructions carefully before assembly, for further assistance please view our assembly video online for an easy step by step demonstration.
- Aluminium is a soft metal and over tightening may strip the thread or break the part, please loosely assembly your furniture before tightening to secure.
- Please **do not** use power tools, please only use the tools provided in the bolt pack.
- Please allow 1 hour for assembly.
- This furniture can be assembled with **1** person; however, you may need someone to assist you when turning the furniture over into position.

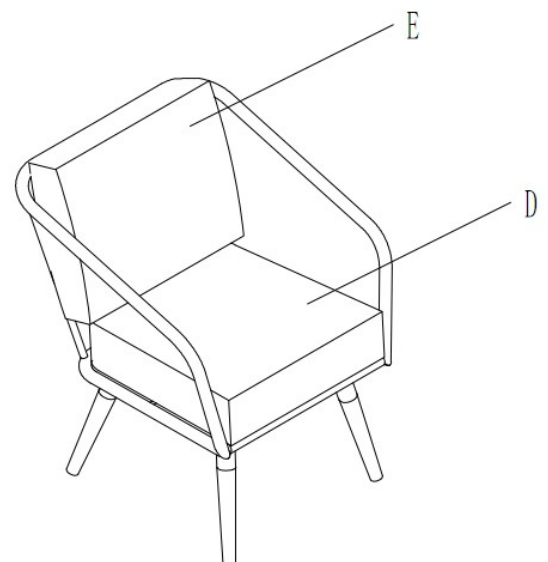
PARTS LIST

Components					Fixings				
Parts List	Parts Picture	Description	Qty	Part No	Parts List	Parts Picture	Description	Qty	Part No
A		Dining Chair Seat Frame	1	64111082A 64111092A 64111040A 64101082A	F		M6x25 Bolts	12	1231162
B		Front Legs	2	64111082B 64111092B 64111040B 64101082B	G		M6 Flat Washers	12	1061162
C		Rear Legs	2	64111082C 64111092C 64111040C 64101082C	H		Allen Key	1	2002191
D		Seat Cushion	1	64111082D 64111092D 64111040D 64101082D					
E		Back Cushion	1	64111082E 64111092E 64111040E 64101082E					

STEP 1: LEG ASSEMBLY



STEP 1: Turn the seating frame (A) upside down on a soft, clean surface. Attach 2 front legs (B) and 2 rear legs (C) to the seating frame with bolts (F) and flat washers (G) using Allen key(H).



STEP 2: Turn the chair over and place in desired position. Put seat cushion (D) and back cushion (E) on the chair.



Assembly Instructions

Eden/Etna 6 Seat Rectangular Dining Table

(Product Codes: 64166082/64166092/64166040)

**PLEASE RETAIN THIS DOCUMENT ALONG WITH YOUR
PROOF OF PURCHASE FOR FUTURE REFERENCE**

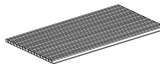





Congratulations on your recent purchase of your beautiful Hartman furniture. We hope it brings you countless special moments with friends and family for many years to come.

Please follow these simple steps to build your furniture. We also have a very useful video available online to assist with the assembly, please visit www.hartmanuk.com

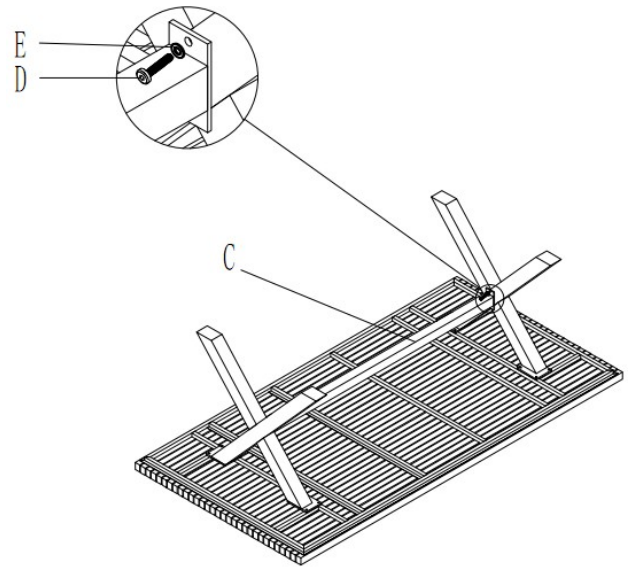
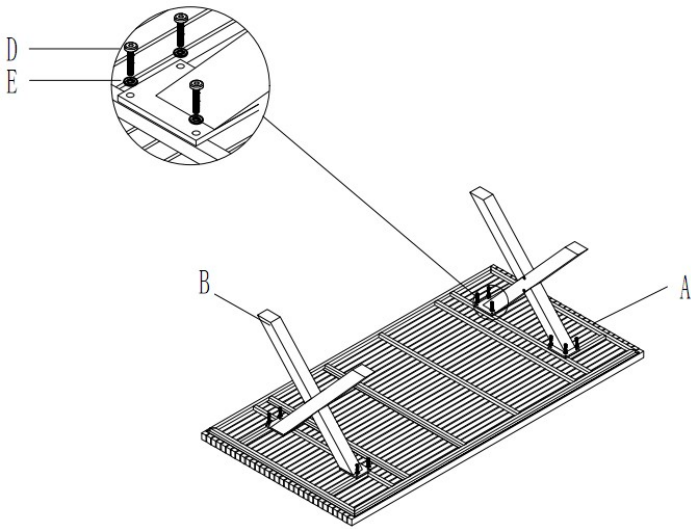
TOP TIPS

- Please read these instructions carefully before assembly, for further assistance please view our assembly video online for an easy step by step demonstration.
- Aluminium is a soft metal and over tightening may strip the thread or break the part, please loosely assemble your furniture before tightening to secure.
- Please **do not** use power tools, only use the tools provided in the bolt pack.
- Please allow 1 hour for assembly.
- This furniture can be assembled with **1** person; however, you may need someone to assist you when turning the furniture over into position.

PARTS LIST

Components					Fixings				
Parts List	Parts Picture	Description	Qty	Part No	Parts List	Parts Picture	Description	Qty	Part No
A		Table Top	1	64166082A 64166092A 64166040A	D		M6x25 Bolts	16	1231162
B		Legs	2	64166082B 64166092B 64166040B	E		M6 Flat Washers	16	1061162
C		Connecting Bar	1	64166082C 64166092C 64166040C	F		Allen Key	1	2002191

STEP 1 & 2: LEG ASSEMBLY - TABLE



STEP 1: Turn the table top (A) upside down on a soft, clean surface. Loosely attach the 2 legs (B) to the table top (A) with bolts (D) and flat washers (E) using Allen key(F).

STEP 2: Loosely attach connecting bar (C) between 2 legs (B) with bolts (D) and flat washers (E) using Allen key(F). Tighten all bolts using Allen key (F) one by one being careful not to over tighten any as this will cause the thread to become damaged.

Turn the table over and place in desired position. You can now use the table.